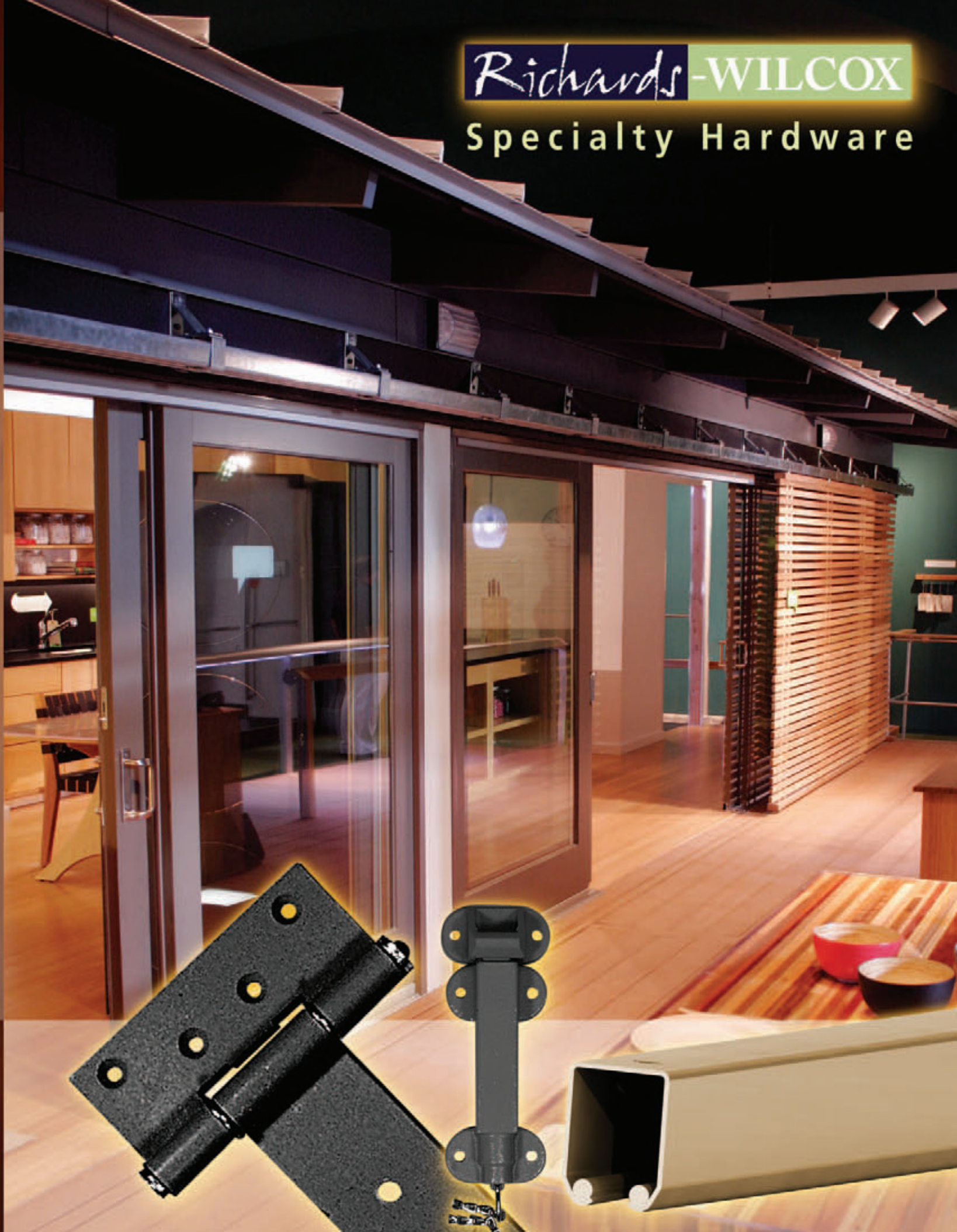


Richards-WILCOX
Specialty Hardware



RICHARDS-WILCOX HARDWARE ADVANTAGES

STANDARD OF THE INDUSTRY

Manufacturing since 1880 in Aurora, ILmost experience in the industry
 Standard capacities up to 5000 poundsheaviest in the industry
 Standard 10 Year Warrantylongest in the industry
 Standard Industrial Strengthhighest quality designs

COMPLETE PRODUCT LINE

Six Track designs and capacities to cover all applications

Standard Capacities: 400, 600, 800, 1000, 2500, and 5000 pound

Construction: 16 gauge to 3/16"

Finishes : Bare, Powder Coated, Galvanized, Stainless, or Plated

Configurations: Curves, Switches, Turntables and Crossovers available

Richards-Wilcox Patented Lock-Joint Concept

- Positive interlocking track joint brackets
- Prevents horizontal track slippage or separation
- Easy mechanical installations without welding

10 Hanger Designs

- Sidewall Mounting
- Overhead Mounting

12 Truck/Hanger Designs

- Ball, Caged Roller and Polymer Bearing
- Adjustable Aprons for differing door thicknesses

Industrial Strap Hinges

- Two Designs--standard and heavy duty
- Ball and Disc Bearings for different loading needs
- Up to 1/2" thick material
- Standard strap lengths up to 36"—longer lengths available
- Decorative designs and finishes available
- Complete offering with accessories

Accessories and Related Items—all with various designs and finishes

Latches	Cremona, Cane, and Spring Bolts
Stay Rollers	Fire Door Fusible Links
Door Stops	Handrail Brackets
Bow Handles	Industrial Curtain Hangers
Flush Pulls	Weather Stripping and Sweep Sets

OUR ENVIRONMENTAL PLEDGE

Richards-Wilcox, Inc. is committed to the long-term preservation of our environment. For over a decade, the company has actively pursued a policy of environmental sustainability. Long before the formation of the US Green Building and LEED movement, Richards-Wilcox developed programs in manufacturing operations and its general facilities to protect the environment.

Steel used in the manufacturing of Richards-Wilcox track contains 25% recycled content from post-consumer and post-industrial sources; the track is also recyclable. Track and other hardware products are finished with a polyester powder coat that is 100% non-emissive and contains no formaldehyde, methanol, or other solvents harmful to the environment.



RICHARDS-WILCOX HARDWARE ADVANTAGES

Pre-Engineered and Packaged Hardware Sets

All items are included—track, hangers, handles, floor guides, door bolts, drawings, etc.

Simple part number ordering

Single and Bi-Parting Door Sets

Slide and Slide-Fold Door Sets

Strong Regional Stocking Distributor Network

Extensive Experience

Factory Trained

Same Day Shipments with In-house Inventories

Service Oriented

PROVEN APPLICATIONS SINCE 1880

Doors

Large Warehouse Doors
Vehicle Maintenance Shop Doors
Woven Wire Doors
Tool Crib Doors
Airplane Hanger Doors
Cooler Doors
Sliding Strip Doors
Lead and Bulletproof Doors
Classroom Doors

Animal Control

Zoo Doors and Gates
Animal Holding Areas
Crowding Doors and Gates
Barn Doors and Stalls
Metal and Pole Building Doors
Remote Door Actuators

Trucks

Display Truck Doors
Trailer Doors
Cargo Restraining Curtains

Theater Staging

Acoustical Panels
Stage Reducing Panels
Stage Curtains
Stage Light Rigging

Industrial Applications

Rolling Mill Access Doors
Industrial Oven Doors
Solvent Tool and Parts Cleaning Tanks
Paint Booth Access Doors
Welding Curtains
Portable Tool Carriers
Around-the-Corner Doors
Freezer Doors

Display Panels

Art Galleries
Museums
Chalkboards and Tackboards
Showrooms

Boardrooms

Security

Prison Gates and Doors
Sallyports
Commercial Swing or Slide gates

Miscellaneous

Sliding Room Dividers
Operable Walls
Athletic Dressings
Equipment Drying
Weapon Target Carriers

Stainless Steel Applications

Marine
Pulp Mill
Chemical
Pharmaceutical
Food Processing
Plating/Finishing

ALPHABETICAL INDEX

A		S	
Astragal Weatherstrip	56	Slide Fold Hardware	52
B		Slide Fold Hardware Sets	48-54
Back Plate - Decorative Hinge	65	Single/Bi-parting	
Back Plate-Strap Hinge	68	Hardware Sets	46-47
Binder, Steel	37	Specialty Zoo Hardware	28,29
Bolts, Cane	41	Spring Bolts	41
Bolts, Cremona	42-45	Stainless Steel Track-31 Series . . .	26
Bolts, Spring	41	Stainless Steel Track-232 Series . .	26
Bow Handles	34	Stainless Steel Hardware	26, 27
Brackets, Handrail	57	Steel Binder	37
Bumper Shoes	37	Strap Hinge Back Plate	68
C		Strap Hinge Selection Guide . . .	58-61
Cane Bolts	41	Strap Hinges, Decorative	64-65
Concealed Floor Guide	36	Strap Hinges, Industrial	61, 66-68
Cremona Bolts	42-45	Strap Hinges, Standard	60, 62-63, 68
Curves-2035 series	15	Sweep Weatherstrip	56
D		T	
Door Holder	38	Top Plate	9
Door Guides	38	Track Curves-2035 Series	15
Door Latches	39-40	Track Section-Flat 102 Series	31
Door Pulls	33	Track Section-Flat 105 Series	30
Door Stops	37-38	Track Section-31 Series	7
Door Top Plate	9	Track Section-232 Series	10
E		Track Section-2035 Series	13
End Stop, Door	37	Track Section-330 Series	16
F		Track Section-376 Series	19
Flat Track/Hanger	30-31	Track Section-888 Series	22
Floor Center Guides	38	Truck/Hanger-31 Series	9
Floor Door Guides	35-36, 38	Truck/Hanger-232 Series	12
Flush Pulls	33	Truck/Hanger-2035 Series	13
Fusible Links	55	Truck/Hanger-330 Series	18
G		Truck/Hanger-376 Series	21
Guide Rollers	32	Truck/Hanger-888 Series	24, 25
Guides, Door	35-36, 38	W	
Guide Roller Strip	36	Warranty	69
H		Weatherstrip	56
Handle, Bow	34	Weld/Jig Kit 2035 Track	14
Handrail Brackets	57	Weld/Lube Kit 888 Track	22
Hasps	34	Z	
Hinge Selection Guide	58-61	Zoo & Veterinary Hardware	28, 29
Hinges	60-68		
Hinges, Decorative	64-65		
Holder, Door	38		
K			
Keepers, Spring Bolt	41		
L			
Latches	39-40		
Links, Fusible	55		
Lock Joint® Brackets	3		
Lock Joint® Track	4		
Lock Joint® Hanger	5		
N			
Neoprene Weatherstrip	56		
O			
Overhead Brackets-31 Series	8		
Overhead Brackets-232 Series	11		
Overhead Brackets-2035 Series . . .	14		
Overhead Brackets-330 Series	17		
Overhead Brackets-376 Series	20		
Overhead Brackets-888 Series	23		
P			
Pulls, Flush	33		
Padlock Staple	39		
R			
Remote Door Actuator	28		
S			
Shift Door Pull	29		
Sidewall Brackets-31 Series	8		
Sidewall Brackets-232 Series	11		
Sidewall Brackets-330 Series	17		
Sidewall Brackets-2035 Series	14		
Sidewall Brackets-376 Series	20		
Sidewall Brackets-888 Series	23		

NUMERICAL INDEX

Model Number	Name	Page
31	Brackets	8
31	Track	7
31	Truck/Hanger	9
31	Stainless Track	26
31	Stainless Truck/Hanger	26
31	Stainless Brackets	27
54	Guide Roller	32
58	Guide Roller	32
58	Stainless Stay Roller	26
59	Guide Roller	32
70	Flush Pull	33
71	Bow Handle	34
72	Stainless Flush Pull	26
81	Bow Handle	34
82	Binder	37
82	Stainless Binder	26
83	Stainless Bow Handle	26
89	Binder Stop	37
97	Fusible Link	55
102	Bumper Shoe	37
102	Binder	37
102	Flat Track/Hanger	31
105	Flat Track	30
105	Concealed Floor Guide	36
119	Door Holder	38
125	Latch	39
128	Latch	39
128	Padlock Staple	39
152	Latch	40
153	Guide Roller	32
154	Guide Roller	32
171	Floor Stop	38
182	Hasp	34
191	Bow Handle	34
216	Astragal Weatherstrip	56
216	Sweep Weatherstrip	56
225	Latch	40
232	Track	10
232	Brackets	11
232	Truck/Hanger	12
232	Stainless Brackets	27
232	Stainless Track	26
232	Stainless Truck/Hanger	26
234	Zoo & Veterinary Hardware	28
330	Brackets	17
330	Track	16
330	Truck/Hanger	18
376	Bracket	20
376	Track	19

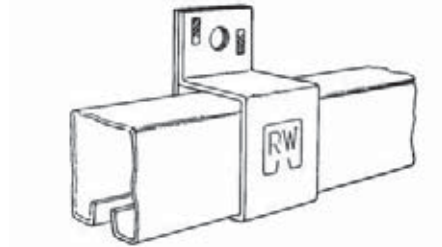
Model Number	Name	Page
376	Truck/Hanger	21
434	Hardware Sets	48, 53-54
434	Hinges	66-68
434	Hinge Back Plate	68
434	Spring Bolts	41
434	Keeper	41
435	Hanger	52
470	Flush Pull	33
514	Spring Bolts	41
524	Cane Bolt	41
535	Flush Pull	33
566	Handrail Bracket	57
572	End Stop	37
647	Guide Roller Strip	36
739	Floor Guide	35
739	Floor Guide Track	35
771	Door Guide	38
888	Bracket	23
888	Track	22
888	Truck/Hanger	24, 25
888	Weld/Lube Kit	22
1025	Latch	40
1028	Heavy-duty Cremone Bolt	42-43
1028	Extra Heavy-duty Cremone Bolt	44-45
1035	Hardware Sets	49-52
1035	Hinge Back Plate	68
1035	Strap Hinges	62
1035	Decorative Strap Hinges	64
1035	Decorative Strap Hinge Back Plate	65
1036	Hinge Back Plate	68
1036	Strap Hinges	62
1036	Decorative Strap Hinges	64
1036	Decorative Hinge Back Plate	65
1040	Strap Hinges	63
1047	Strap Hinges	63
1600	Hardware Sets	46-47
2035	Brackets	14
2035	Curved Track	15
2035	Track	13
2035	Truck/Hanger	13
2035	Welding Jig	14
2434	Truck/Hanger	53-54
2600	Hardware Sets	46-47
3110	Top Plate	9
3110	Truck/Hanger	9
3120	Truck/Hanger	9
3130	Utility Hanger	7
3140	Utility Hanger	7

LOCK-JOINT® BOX TYPE TRACK AND BRACKETS • INSTALLATION AND FUNCTIONS

The unique design of the Richards-Wilcox Lock-Joint® Track and Brackets prevents the horizontal creep of tracks while binding them together tightly against the bottom of the bracket. This achieves a smooth tight joint for the hanger runway. The Standard Product warranty requires the use of Track Brackets for all applications.

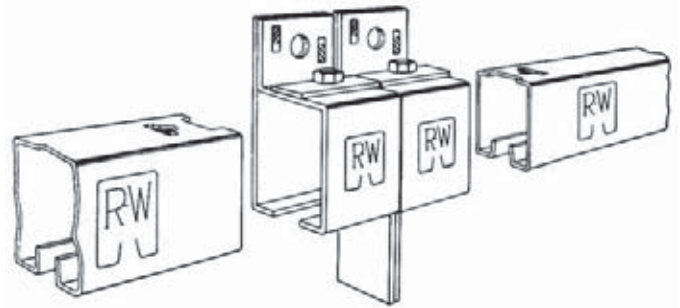
CENTER BRACKETS

Slide track through center sidewall/overhead brackets. Provides support of track and track lips at required support intervals.



CENTER STOP BRACKETS

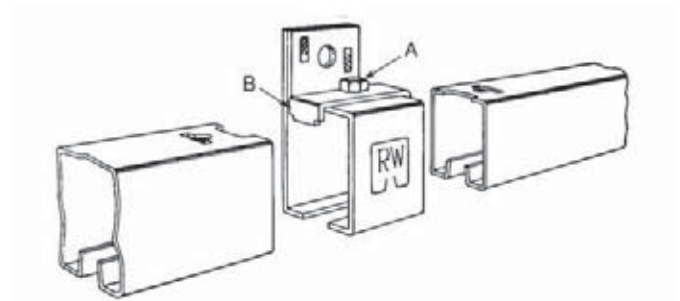
Slide each end of each track fully into center sidewall stop bracket. Provides track support and door stop at center of bi-parting door installations.



LOCK-JOINT BRACKETS

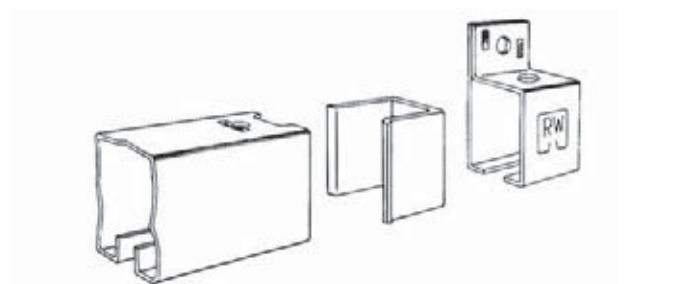
Loosen nut "A", raise clamp "B", slide tracks into bracket, drop bent ends of clamp "B" into holes in tops of track and tighten nut "A". Provides the unique Lock-Joint feature between track sections.

Note #1: 888 Track joints must be welded on all manual 2500 to 5000 lb. applications and all powered applications. See page 22 for welding kit information.



END BLIND

Place end blind over end of track. Slide track, and end blind fully into center sidewall/overhead bracket. Provides stop to prevent creep on one-piece track applications. Closes end of track to birds.



TRACK DATA

Capacity ¹ for Doors Weighing _ Pounds	Track Number	Gauge	Inside Dimensions in Inches	Available Lengths Feet	Standard Finish/ Powder Coat	Galvanized Steel Available	Hot-dipped Galvanized Available	Stainless Steel Available	Pound Per Foot
--	-----------------	-------	-----------------------------------	------------------------------	---------------------------------------	----------------------------------	---------------------------------------	---------------------------------	----------------------

LOCK-JOINT® STYLE TRACK – MANUALLY OPERATED

400	31	16	1¾" Wide 2½" High	6', 8', 10' 12' & 20'	Powder Coat	*		*	1¾
600	232	14	2 ⁷ / ₃₂ " Wide 3¼" High	6', 8', 10'	Powder Coat	*		*	2¾
600	2035	7	1¾" Wide 2 ⁵ / ₁₆ " High	10'	Powder Coat		*	*	5
800	330	13	2 ⁵ / ₈ " Wide 3¼" High	6', 8', 10'	Powder Coat		*		4
1000	376	10	2 ⁵ / ₈ " Wide 3¼" High	6', 8', 10'	Powder Coat	*	*		5¾
1500 ²	888	9	2 ¹³ / ₁₆ " Wide 2 ⁹ / ₃₂ " High	6', 8', 10'	Powder Coat		*		8
2500 ³	888	9	2 ¹³ / ₁₆ " Wide 2 ⁹ / ₃₂ " High	6', 8', 10'	Powder Coat		*		8
5000 ⁴	888	9	2 ¹³ / ₁₆ " Wide 2 ⁹ / ₃₂ " High	6', 8', 10'	Powder Coat		*		8

LOCK-JOINT® STYLE TRACK – POWER OPERATED

800	376	10	2 ⁵ / ₈ " Wide 3¼" High	6', 8', 10'	Powder Coat	*	*		5¾
1500 ²	888	9	2 ¹³ / ₁₆ " Wide 2 ⁹ / ₃₂ " High	6', 8', 10'	Powder Coat		*		8
2500 ³	888	9	2 ¹³ / ₁₆ " Wide 2 ⁹ / ₃₂ " High	6', 8', 10'	Powder Coat		*		8
5000 ⁴	888	9	2 ¹³ / ₁₆ " Wide 2 ⁹ / ₃₂ " High	6', 8', 10'	Powder Coat		*		8

¹ With pair of truck/hanger assemblies per door.

² 1500 lb. capacity when 888 track is used with 8880.00001 trucks.

³ 2500 lb. capacity when 888 track is used with 8881.00001 trucks.

⁴ 5000 lb. capacity when 888 track is used with 8881.00017 trucks.

DOOR HANGAR (TRUCK WITH APRON) ASSEMBLY DATA

Capacity ¹ for Doors Weighing — Pounds	Door Thickness	Part Number	Track Number	Type Aprons	Type Bearing
---	-------------------	----------------	-----------------	----------------	-----------------

LOCK-JOINT® STYLE TRACK – MANUALLY OPERATED

400	1½" to 2¼"	3120.00002	31	Zinc Plated	Delrin
400	1½" to 2¼"	3110.00002	31	Zinc Plated	Roller
600	1¾" to 2¼"	2320.00002	232	Powder Coat	Roller
600	1¾" to 2¼"	2320.00003	232	Zinc Plated	Roller
600	2¼" to 2¾"	2320.00004	232	Powder Coat	Roller
600	2¼" to 2¾"	2320.00005	232	Zinc Plated	Roller
600	1¾" to 2¼"	2321.00002	232	Powder Coat	Ball
600	1¾" to 2¼"	2321.00003	232	Zinc Plated	Ball
600	2¼" to 2¾"	2321.00004	232	Powder Coat	Ball
600	2¼" to 2¾"	2321.00005	232	Zinc Plated	Ball
600	Per Application	2035.01975	2035	Powder Coat	Ball
800	1¾" to 2¼"	3300.00002	330	Powder Coat	Roller
800	1¾" to 2¼"	3300.00003	330	Zinc Plated	Roller
800	2¼" to 3"	3300.00004	330	Powder Coat	Roller
800	2¼" to 3"	3300.00005	330	Zinc Plated	Roller
800	1¾" to 2¼"	3301.00002	330	Powder Coat	Ball
800	1¾" to 2¼"	3301.00003	330	Zinc Plated	Ball
800	2¼" to 3"	3301.00004	330	Powder Coat	Ball
800	2¼" to 3"	3301.00005	330	Zinc Plated	Ball
1000	1¾" to 2¼"	3300.00002	376	Powder Coat	Roller
1000	1¾" to 2¼"	3300.00003	376	Zinc Plated	Roller
1000	2¼" to 3"	3300.00004	376	Powder Coat	Roller
1000	2¼" to 3"	3300.00005	376	Zinc Plated	Roller
1000	1¾" to 2¼"	3301.00002	376	Powder Coat	Ball
1000	1¾" to 2¼"	3301.00003	376	Zinc Plated	Ball
1000	2¼" to 3"	3301.00004	376	Powder Coat	Ball
1000	2¼" to 3"	3301.00005	376	Zinc Plated	Ball
1500	1¾" to 2¼"	8880.00002	888	Powder Coat	Ball
1500	2¼" to 3"	8880.00004	888	Powder Coat	Ball
2500	2¼" to 3"	8881.00002	888	Powder Coat	Ball
5000	Per Application	8881.00017	888	—	Ball

LOCK-JOINT® STYLE TRACK – POWER OPERATED

800	1¾" to 2¼"	3761.00002	376	Powder Coat	Ball
800	2¼" to 3"	3761.00004	376	Powder Coat	Ball
1500	1¾" to 2¼"	8880.00002	888	Powder Coat	Ball
1500	2¼" to 3"	8880.00004	888	Powder Coat	Ball
2500	2¼" to 3"	8881.00002	888	Powder Coat	Ball
5000	Per Application	8881.00017	888	—	Ball

¹ With pair of truck/hanger assemblies per door.

INSTALLATION COMPONENT QUANTITIES FOR TRACK SERIES

Track Series	Capacity	Center	End Blind	Lock Joint*	Double Center	End Blind	Double Lock Joint
--------------	----------	--------	-----------	-------------	---------------	-----------	-------------------

SIDEWALL MOUNTING

31 Track	400#						
6 Foot Section		4	2	1	4	4	1
8 Foot Section		5	2	1	5	4	1
10 Foot Section		6	2	1	6	4	1
12 Foot Section		7	2	1	7	4	1
20 Foot Section		11	2	1	11	4	1
232 Track	600#						
6 Foot Section		4	2	1	4	4	1
8 Foot Section		5	2	1	5	4	1
10 Foot Section		6	2	1	6	4	1
2035 Track	600#						
10 Foot Section		3	**				
330 Track	800#						
6 Foot Section		4	2	1	4	4	1
8 Foot Section		5	2	1	5	4	1
10 Foot Section		6	2	1	6	4	1
376 Track	1000#						
6 Foot Section		4	2	1	4	4	1
8 Foot Section		5	2	1	4	4	1
10 Foot Section		6	2	1	4	4	1
888 Track	2500#						
6 Foot Section		3	2	1			
8 Foot Section		3	2	1			
10 Foot Section		3	2	1			
888 Track	5000#						
6 Foot Section		4	2	***			
8 Foot Section		5	2	***			
10 Foot Section		6	2	***			

OVERHEAD MOUNTING

31 Track	400#						
6 Foot Section		4	2	1	4	2	1
8 Foot Section		5	2	1	5	2	1
10 Foot Section		6	2	1	6	2	1
12 Foot Section		7	2	1	7	2	1
20 Foot Section		11	2	1	11	2	1
232 Track	600#						
6 Foot Section		4	2	1	4	2	1
8 Foot Section		5	2	1	5	2	1
10 Foot Section		6	2	1	6	2	1
2035 Track	600#						
10 Foot Section		3	**				
330 Track	800#						
6 Foot Section		4	2	1			
8 Foot Section		5	2	1			
10 Foot Section		6	2	1			
376 Track	1000#						
6 Foot Section		4	2	1			
8 Foot Section		5	2	1			
10 Foot Section		6	2	1			
888 Track	2500#						
6 Foot Section		3	2	1			
8 Foot Section		3	2	1			
10 Foot Section		3	2	1			
888 Track	5000#						
6 Foot Section		4	2	***			
8 Foot Section		5	2	***			
10 Foot Section		6	2	***			

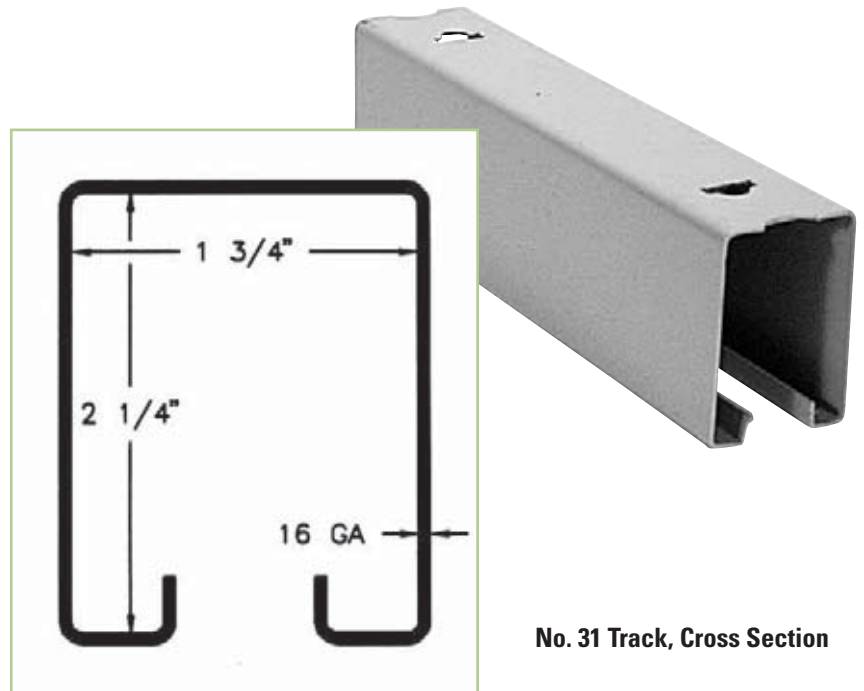
* Lock Joints used only when sections are coupled together in place of one center bracket.

** No End Blinds are used—field install bolts through end of run.

*** Lock Joints are not permitted; all coupled sections must be welded together using jig kit.

LOCK-JOINT® BOX TYPE TRACK • NO. 31 TRACK 400 LB. CAPACITY PER PAIR OF TRUCKS**NUMBER 31 TRACK**

0031.00115	Track 6'- 0"	Powder Coat
0031.00116	Track 8'- 0"	Powder Coat
0031.00117	Track 10'- 0"	Powder Coat
0031.00118	Track 12'- 0"	Powder Coat
0031.00119	Track 20'- 0"	Powder Coat
0031.00120	Track 6'- 0"	Galvanized
0031.00121	Track 8'- 0"	Galvanized
0031.00122	Track 10'- 0"	Galvanized
0031.00123	Track 12'- 0"	Galvanized
0031.00124	Track 20'- 0"	Galvanized

**No. 31 Track, Cross Section****UTILITY HANGERS**

Designed for light to medium-duty, manually operated curtains. Typical applications: stage curtains, machinery enclosure curtains, sound reducing curtains, etc. Hanger wheels are made of Delrin with a Delrin bearing surface to ensure a smoothly operating curtain.

3130.00001 Medium-Duty Utility Hanger

Medium-Duty hanger frames are made of steel with a zinc-plated finish and are equipped with bumpers to prevent the hanger wheels from making contact with each other. Hangers should be spaced on 12" to 14" centers depending on the weight of the curtains. Capacity is 25 lbs.–75 lbs. maximum.

Finish: Zinc-plated finish frame.

**3140.00001 Light-Duty Utility Hanger**

Light-Duty hanger frames are made of steel with a zinc-plated finish. Hangers should be spaced on 12" to 14" centers depending on the weight of the curtains. Capacity is up to 25 lbs. maximum.

Finish: Zinc-plated finish frame.



LOCK-JOINT® BRACKETS FOR NUMBER 31 TRACK

SIDEWALL MOUNTING



Center
0031.00044 Powder Coat
0031.00047 Galvanized



Lock-Joint
0031.00051 Powder Coat
0031.00054 Galvanized



Center Stop
0031.00056 Powder Coat
0031.00059 Galvanized



End Blind
0031.00050 Galvanized



Double Center
0031.00069 Powder Coat
0031.00072 Galvanized



Double Lock-Joint
0031.00075 Powder Coat
0031.00076 Galvanized

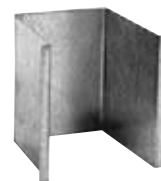
OVERHEAD MOUNTING



Center
0031.00061 Powder Coat
0031.00062 Galvanized



Lock-Joint
0031.00063 Powder Coat
0031.00065 Galvanized



End Blind
0031.00050 Galvanized



Cross Ear Center
0031.00085 Powder Coat
0031.00087 Galvanized



Cross Ear Lock-Joint
0031.00089 Powder Coat
0031.00090 Galvanized

Note: Maximum Bracket spacing is 30" on centers. Tracks extend into Center and End Brackets 2".

Use end blind in combination with any center bracket to produce an end bracket.

LOCK-JOINT® TRUCK/HANGER ASSEMBLIES • NO. 31 TRACK 400 LB. CAPACITY**3120 TRUCK/HANGER ASSEMBLY WITH DELRIN® WHEELS**

Use: For manually operated sliding doors 1½" to 2¼" thick weighing up to **400 lbs.** per pair of trucks.

Head Clearance: Distance top of door to bottom of track; minimum 1¼", maximum 2¾".
Bottom of track to center of hole in sidewall bracket; 3¾".

Construction: 2⅛" diameter Delrin® wheels. Lateral and vertical adjustment.

Apron: ⅛" thick x 3½" wide x 6" long.

Finish: Zinc plated.

3120.00001 Trucks, Less Aprons

3120.00002 Hangers, for Doors 1½" to 2¼" thick



Hanger Assembly Shown

3110 TRUCK/HANGER ASSEMBLY

Use: For manually operated sliding doors 1½" to 2¼" thick weighing up to **400 lbs.** per pair of trucks.

Head Clearance: Distance top of door to bottom of track; minimum 1¼", maximum 2½".
Bottom of track to center of hole in sidewall bracket; 3¾".

Construction: 2⅛" diameter steel wheels. Lateral and vertical adjustment.

Apron: ⅛" thick x 3½" wide x 6" long.

Finish: Zinc plated.

3110.00001 Trucks, Less Aprons

3110.00002 Hangers, for Doors 1½" to 2¼" thick



Hanger Assembly Shown

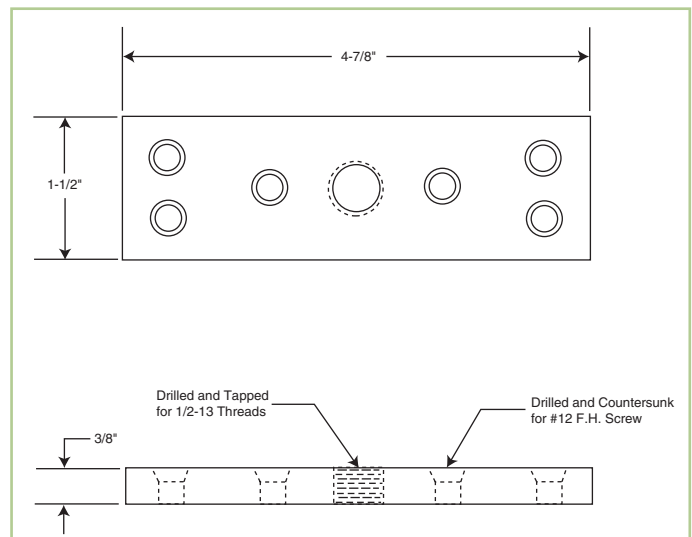
DOOR TOP PLATE

Application: For wood doors 1¾" minimum thickness - to be used instead of an apron.

Construction: Steel Plate.

Finish: Powder Coat.

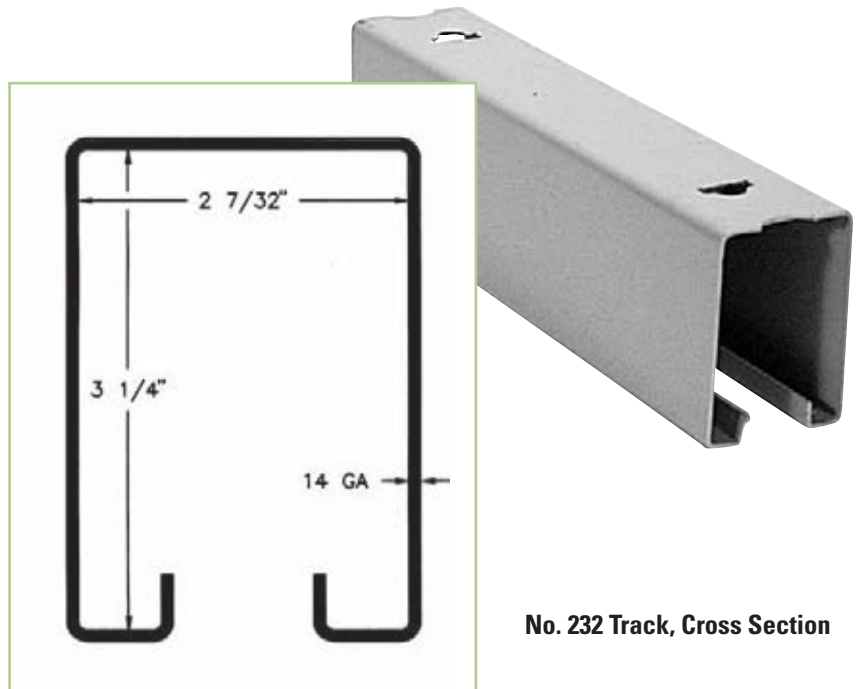
3110.00012 Door Top Plate



LOCK-JOINT® BOX TYPE TRACK • NO. 232 TRACK 600 LB. CAPACITY PER PAIR OF TRUCKS

NUMBER 232 TRACK

0232.00064	Track 6'- 0"	Powder Coat
0232.00065	Track 8'- 0"	Powder Coat
0232.00066	Track 10'- 0"	Powder Coat
0232.00067	Track 6'- 0"	Galvanized
0232.00068	Track 8'- 0"	Galvanized
0232.00069	Track 10'- 0"	Galvanized



No. 232 Track, Cross Section

LOCK-JOINT® BRACKETS FOR NUMBER 232 TRACK

SIDEWALL MOUNTING



Center
0232.00121 Powder Coat
0232.00121ZC Zinc Plated



Lock-Joint
0232.00122 Powder Coat
0232.00122ZC Zinc Plated



Center Stop
0232.00123 Powder Coat
0232-00123ZC Zinc Plated



End Blind
0232.00007 Galvanized



Double Center
0232.00026 Powder Coat



Double Lock-Joint
0232.00032 Powder Coat

OVERHEAD MOUNTING



Center
0232.00018 Powder Coat
0232.00019 Zinc Plated



Lock-Joint
0232.00020 Powder Coat
0232.00022 Zinc Plated



End Blind
0232.00007 Galvanized



Cross Ear Center
0232.00044 Powder Coat
0232.00046 Zinc Plated



Cross Ear Lock-Joint
0232.00048 Powder Coat
0232.00049 Zinc Plated

Note: Maximum Bracket spacing is 24" on centers. Tracks extend into Center and End Brackets 2¾".

Use end blind in combination with any center bracket to produce an end bracket.

LOCK-JOINT® TRUCK/HANGER ASSEMBLIES • NO. 232 TRACK 600 LB. CAPACITY**2320 TRUCK/HANGER ASSEMBLY
WITH CAGED ROLLER BEARINGS**

Use: For manually operated sliding doors 1 $\frac{3}{4}$ " to 2 $\frac{3}{4}$ " thick weighing up to **600 lbs.** per pair of trucks.

Head Clearance: Distance top of door to bottom of track; minimum 1 $\frac{1}{8}$ ", maximum 2 $\frac{3}{4}$ ".
Bottom of track to center of hole in sidewall bracket; 5 $\frac{1}{4}$ ".

Construction: 3" diameter steel wheels. Lateral and vertical adjustment.

Apron: $\frac{9}{64}$ " thick x 4" wide x 7 $\frac{1}{4}$ " long.

Finish: Zinc plated trucks/apron plated or powder coated.

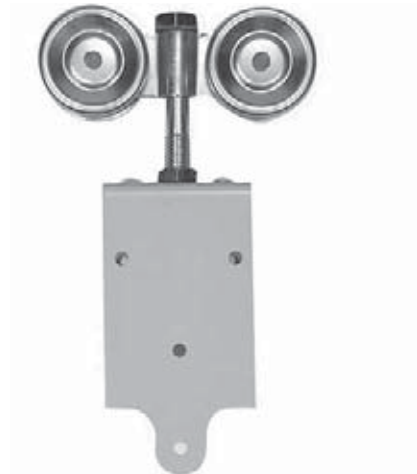
2320.00001 – Trucks, Less Apron

2320.00002 – Hanger, for doors 1 $\frac{3}{4}$ " to 2 $\frac{1}{4}$ " Thick - Powder Coat Apron

2320.00003 – Hanger, for doors 1 $\frac{3}{4}$ " to 2 $\frac{1}{4}$ " Thick - Zinc Apron

2320.00004 – Hanger, for doors 2 $\frac{1}{4}$ " to 2 $\frac{3}{4}$ " Thick - Powder Coat Apron

2320.00005 – Hanger, for doors 2 $\frac{1}{4}$ " to 2 $\frac{3}{4}$ " Thick - Zinc Apron



Hanger Assembly Shown

**2321 TRUCK/HANGER ASSEMBLY
WITH BALL BEARINGS**

Use: For manually operated sliding doors 1 $\frac{3}{4}$ " to 2 $\frac{3}{4}$ " thick weighing up to **600 lbs.** per pair of trucks.

Head Clearance: Distance top of door to bottom of track; minimum 1 $\frac{1}{8}$ ", maximum 2 $\frac{3}{4}$ ".
Bottom of track to center of hole in sidewall bracket; 5 $\frac{1}{4}$ ".

Construction: 3" diameter steel wheels. Lateral and vertical adjustment.

Apron: $\frac{9}{64}$ " thick x 4" wide x 7 $\frac{1}{4}$ " long.

Finish: Zinc plated trucks/apron plated or powder coated.

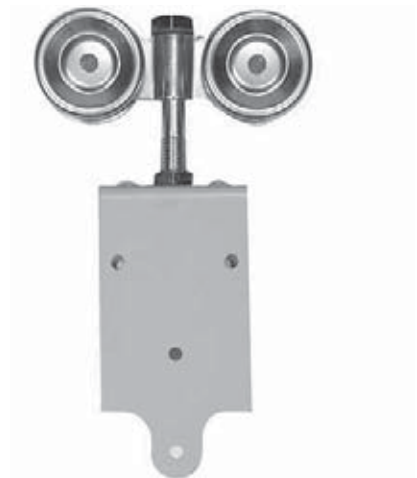
2321.00001 – Trucks, Less Apron

2321.00002 – Hanger, for doors 1 $\frac{3}{4}$ " to 2 $\frac{1}{4}$ " Thick - Powder Coat Apron

2321.00003 – Hanger, for doors 1 $\frac{3}{4}$ " to 2 $\frac{1}{4}$ " Thick - Zinc Apron

2321.00004 – Hanger, for doors 2 $\frac{1}{4}$ " to 2 $\frac{3}{4}$ " Thick - Powder Coat Apron

2321.00005 – Hanger, for doors 2 $\frac{1}{4}$ " to 2 $\frac{3}{4}$ " Thick - Zinc Apron

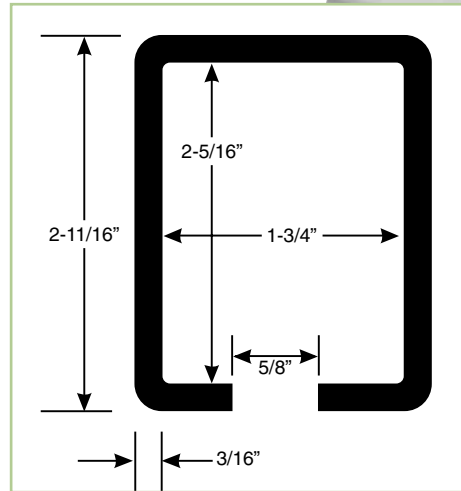


Hanger Assembly Shown

TUFF-TRACK™ • NO. 2035 TRACK 600 LB. CAPACITY PER PAIR OF TRUCKS**NUMBER 2035 TRACK**

2035.00471

Track 10'-0" Powder Coat

Construction: 3/16" steel**No. 2035 Track, Cross Section****2035 TUFF-TRACK HANGER, TRUCK AND UTILITY HANGER****2035.01975 Hanger Assembly - Ball Bearings****Use:** For doors that must negotiate horizontal track curves.**Construction:** 2 1/8" diameter machined steel wheels and 9/16" diameter lateral thrust guide rollers. Pendant is 5/8" diameter with 11 N.C. threads.**Apron:** 9/64" thick x 4" wide x 7 1/2" tall. Top Plate - 1 3/4" wide x 7 1/16" long.**Finish:** Zinc plated trucks/powder coated apron.**Hanger
Assembly
Shown****2035.01976 Truck - Ball Bearings****Use:** For loads up to 300 lbs. per truck (600 lbs. per pair)**Construction:** 2 1/8" diameter machined steel wheels and 9/16" diameter lateral thrust guide rollers. Pendant is 5/8" diameter with 11 N.C. threads.**Finish:** Zinc plated.**Truck
Assembly
Shown****3130.00001 Utility Hanger**

Designed for use with manually operated curtains. Typical applications; stage curtains, machinery enclosure curtains, sound reducing curtains, etc. Hanger wheels are made of Delrin and are equipped with Delrin bearings to insure a smoothly operating curtain. Hanger frames are made of steel, bumpers prevent the hanger wheels from running together. Hangers will operate in a curved section of track when it is necessary to run curtain around a corner. Finish: zinc plated frame. Trucks should be spaced on 12" to 14" centers depending upon the weight of the curtains. Capacity is **25 lbs. – 75 lbs.** maximum.

Finish: Zinc plated frame.

TUFF-TRACK • NO. 2035 TRACK 600 LB. CAPACITY PER PAIR OF TRUCKS

WELDING JIG AND BRACKETS

Track sections are connected together in two ways: By welding using the 2035.00155 Welding Jig, or by using the 2035.00021 wedge type joint bracket.

Welding Jig 2035.00155

The welding method is recommended since it eliminates the necessity for the joint brackets and makes a continuous section of track. The welding jig aligns the inside of the track, holds the two sections in position for welding, and keeps the weld bead flush with the track to insure smooth operation.

Finish: Brass.



Overhead Track Bracket 2035.01912

The 2035.01912 bracket is used only for suspending the track by means of a single bolt. The bracket should be used for supporting the track when the joints are welded and should be used on curves, except when the track is supported by angles or flat bars. Distance from top of bracket to bottom of track is 3 3/4".

Finish: Powder Coat.



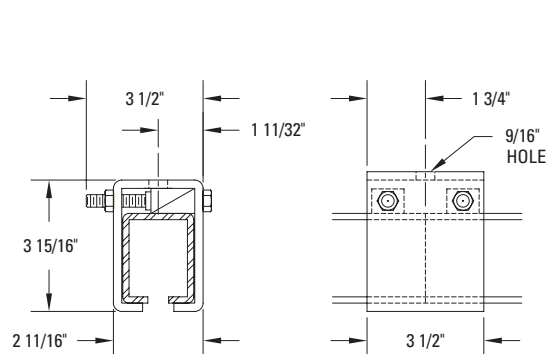
Overhead Joint Bracket 2035.00021

This bracket holds the sections of track to be joined in perfect alignment. The wedges are drawn together using the bolts through the sides of the bracket. When the wedges are tightened they securely clamp the sections of track. Distance from top of bracket to bottom of track is 3 3/4".

Finish: Powder Coat.



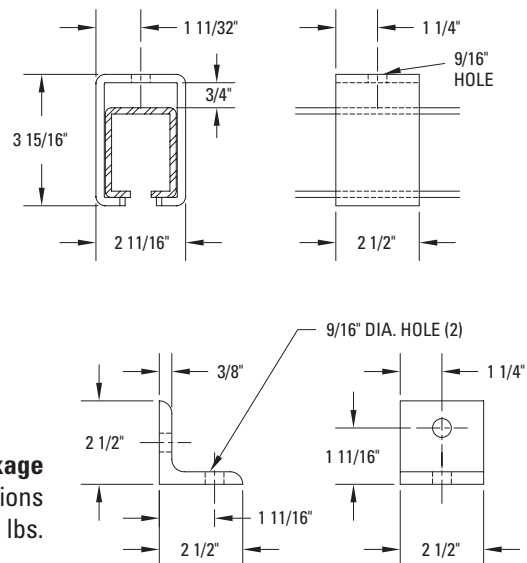
NUMBER 2035 TUFF-TRACK BRACKETS



2035.01912 Standard Bracket
Maximum Spacing 60" O.C.
Weight: 2 lbs.

2035.00021 Joint Bracket
Weight: 3 lbs.

2035.01982 Bracket Angle Package
Use with a supplied 2" fastener for Sidewall Applications
Weight: 1/3 lbs.

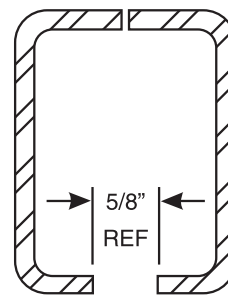
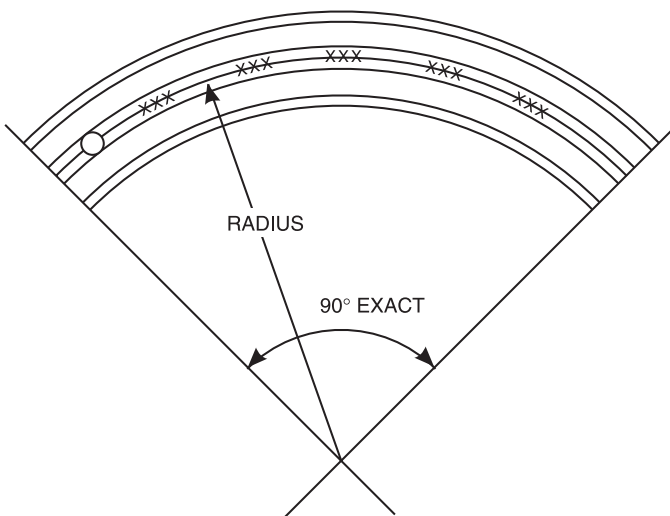


TUFF-TRACK HORIZONTAL CURVES

Note: Curves up to 5' 9" furnished in 90°. Curves 6' 0" to 11' 9" furnished in 45°. (H) = Hardened Component

Radius @ 90°	Part Number
1' 6" (H)	2035.02064
2' 0"	2035.01331
2' 0" (H)	2035.01352
2' 3"	2035.01335
2' 3" (H)	2035.01354
2' 6"	2035.01833.14
2' 6" (H)	2035.01830.11
2' 9"	2035.01833.15
2' 9" (H)	2035.01830.12
3' 0"	2035.01338
3' 0" (H)	2035.01830.13
3' 3"	2035.01341
3' 6"	2035.01833.18
3' 9"	2035.01833.19
4' 0"	2035.01344
4' 3"	2035.01347
4' 6"	2035.01833.22
4' 9"	2035.01833.23
5' 0"	2035.01833.24
5' 3"	2035.01833.25
5' 6"	2035.01833.26
5' 9"	2035.01833.27

Radius @ 45°	Part Number
6' 0"	2035.01836.28
6' 3"	2035.01836.29
6' 6"	2035.01836.30
6' 9"	2035.01836.31
7' 0"	2035.01836.32
7' 3"	2035.01836.33
7' 6"	2035.01836.34
7' 9"	2035.01836.35
8' 0"	2035.01836.36
8' 3"	2035.01836.37
8' 4"	2035.01836.52
8' 6"	2035.01836.38
8' 9"	2035.01836.39
9' 0"	2035.01836.40
9' 3"	2035.01836.41
9' 6"	2035.01836.42
9' 9"	2035.01836.43
10' 0"	2035.01836.44
10' 3"	2035.01836.45
10' 6"	2035.01836.46
10' 9"	2035.01836.47
11' 0"	2035.01836.48
11' 3"	2035.01836.49
11' 6"	2035.01836.50
11' 9"	2035.01836.51



SECTION

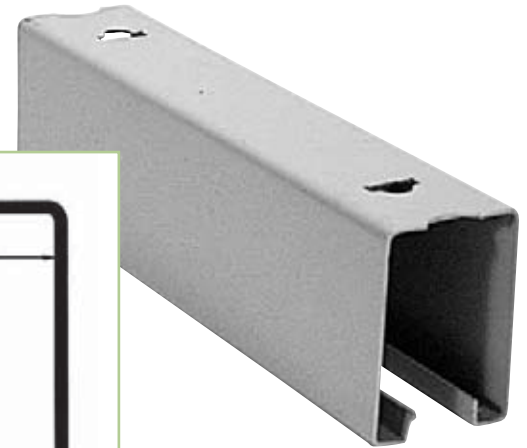
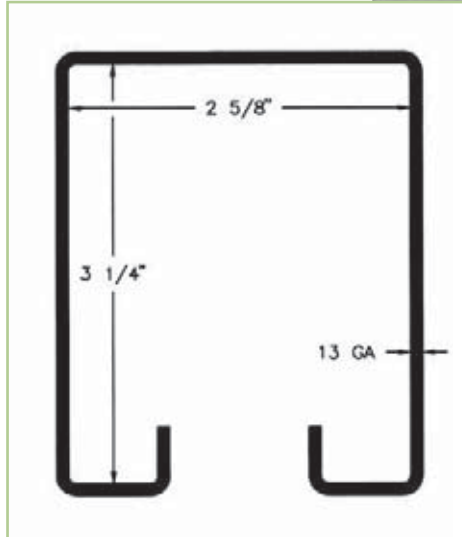
Contact Customer Service for larger radius requirements.

Finish: Powder Coat

LOCK-JOINT® BOX TYPE TRACK • NO. 330 TRACK 800 LB. CAPACITY PER PAIR OF TRACKS

NUMBER 330 TRACK

0330.00001	Track 6'- 0"	Powder Coat
0330.00002	Track 8'- 0"	Powder Coat
0330.00003	Track 10'- 0"	Powder Coat



No. 330 Track, Cross Section

LOCK-JOINT® BRACKETS FOR NUMBER 330 TRACK

SIDEWALL MOUNTING



Center
0330.00132 Powder Coat



Lock-Joint
0330.00133 Powder Coat



Center Stop
0330.00134 Powder Coat



End Blind
0330.00051 Galvanized



Double Center
0330.00070 Powder Coat



Double Lock-Joint
0330.00076 Powder Coat

OVERHEAD MOUNTING



Center
0330.00062 Powder Coat



Lock-Joint
0330.00064 Powder Coat



End Blind
0330.00051 Galvanized

Note: Maximum Bracket spacing is 24" on centers. Tracks extend into Center and End Brackets 3".

Use end blind in combination with any center bracket to produce an end bracket.

LOCK-JOINT® TRUCK/HANGER ASSEMBLIES • NO. 330 TRACK 800 LB. CAPACITY**3300 TRUCK/HANGER ASSEMBLY
WITH CAGED ROLLER BEARINGS**

Use: For manually operated sliding doors 1¾" to 3" thick weighing up to **800 lbs.** per pair of trucks.

Head Clearance: Distance top of door to bottom of track; minimum 1⅛", maximum 2¾".
Bottom of track to center of hole in sidewall bracket; 5½".

Construction: 3" diameter steel wheels. Lateral and vertical adjustment.

Apron: ⅞" thick x 4" wide x 7½" long.

Finish: Zinc plated trucks/powder coated or zinc plated apron.

3300.00001 – Trucks, Less Apron

3300.00002 – Hanger, for Doors 1¾" to 2¼" Thick - Powder Coat Apron

3300.00003 – Hanger, for Doors 1¾" to 2¼" Thick - Zinc Apron

3300.00004 – Hanger, for Doors 2¼" to 3" Thick - Powder Coat Apron

3300.00005 – Hanger, for Doors 2¼" to 3" Thick - Zinc Apron



Hanger Assembly Shown

**3301 TRUCK/HANGER ASSEMBLY
WITH BALL BEARINGS**

Use: For manually operated sliding doors 1¾" to 3" thick weighing up to **800 lbs.** per pair of trucks.

Head Clearance: Distance top of door to bottom of track; minimum 1⅛", maximum 2¾".
Bottom of track to center of hole in sidewall bracket; 5½".

Construction: 3" diameter steel wheels. Lateral and vertical adjustment.

Apron: ⅞" thick x 4" wide x 7½" long.

Finish: Zinc plated trucks/powder coated or zinc plated apron.

3301.00001 – Trucks, Less Apron

3301.00002 – Hanger, for Doors 1¾" to 2¼" Thick - Powder Coat Apron

3301.00003 – Hanger, for Doors 1¾" to 2¼" Thick - Zinc Apron

3301.00004 – Hanger, for Doors 2¼" to 3" Thick - Powder Coat Apron

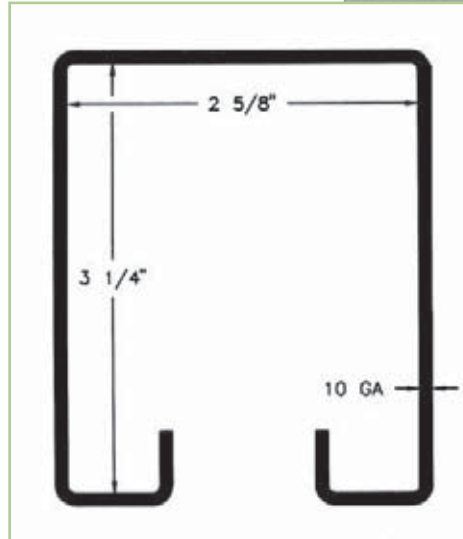
3301.00005 – Hanger, for Doors 2¼" to 3" Thick - Zinc Apron



Hanger Assembly Shown

LOCK-JOINT® BOX TYPE TRACK • NO. 376 TRACK 1000 LB. CAPACITY PER PAIR OF TRUCKS**NUMBER 376 TRACK**

0376.00002	Track 6' - 0"	Powder Coat
0376.00004	Track 8' - 0"	Powder Coat
0376.00006	Track 10' - 0"	Powder Coat
0376.00002HGS	Track 6' - 0"	Galvanized
0376.00004HGS	Track 8' - 0"	Galvanized
0376.00006HGS	Track 10' - 0"	Galvanized

**No. 376 Track, Cross Section**

LOCK-JOINT® BRACKETS FOR NUMBER 376 TRACK

SIDEWALL MOUNTING



Center
0376.00089 Powder Coat
0376.00089ZC Zinc Plated



Lock-Joint
0376.00090 Powder Coat
0376.00090ZC Zinc Plated



Center Stop
0376.00091 Powder Coat
0376.00091ZC Zinc Plated



End Blind
0376.00015 Galvanized



Double Center
0376.00092 Powder Coat
0376.00092ZC Zinc Plated



Double Lock-Joint
0376.00093 Powder Coat
0376.00093ZC Zinc Plated

OVERHEAD MOUNTING



Center
0376.00087 Powder Coat
0376.00087ZC Zinc Plated



Lock-Joint
0376.00088 Powder Coat
0376.00088ZC Zinc Plated



End Blind
0376.00015 Galvanized

Note: Maximum Bracket spacing is 24" on centers. Tracks extend into Center and End Brackets 3".

Use end blind in combination with any center bracket to produce an end bracket.

LOCK-JOINT® TRUCK/HANGER ASSEMBLIES • NO. 376 TRACK 1000 LB. CAPACITY**3300 TRUCK/HANGER ASSEMBLY
WITH CAGED ROLLER BEARINGS**

Use: For manually operated sliding doors 1¾" to 3" thick weighing up to **1000 lbs.** per pair of trucks.

Head Clearance: Distance top of door to bottom of track; minimum 1⅞", maximum 2¾". Bottom of track to center of hole in sidewall bracket; 6".

Construction: 3" diameter steel wheels. Lateral and vertical adjustment.

Apron: ⅝" thick x 4" wide x 7½" long.

Finish: Zinc plated trucks/powder coated or zinc plated apron.

3300.00001 – Trucks, Less Apron

3300.00002 – Hanger, for Doors 1¾" to 2¼" Thick - Powder Coat Apron

3300.00003 – Hanger, for Doors 1¾" to 2¼" Thick - Zinc Apron

3300.00004 – Hanger, for Doors 2¼" to 3" Thick - Powder Coat Apron

3300.00005 – Hanger, for Doors 2¼" to 3" Thick - Zinc Apron



Hanger Assembly Shown

**3301 TRUCK/HANGER ASSEMBLY
WITH BALL BEARINGS**

Use: For manually operated sliding doors 1¾" to 3" thick weighing up to **1000 lbs.** per pair of trucks.

Head Clearance: Distance top of door to bottom of track; minimum 1⅞", maximum 2¾". Bottom of track to center of hole in sidewall bracket; 6".

Construction: 3" diameter steel wheels. Lateral and vertical adjustment.

Apron: ⅝" thick x 4" wide x 7½" long.

Finish: Zinc plated trucks/powder coated or zinc plated apron.

3301.00001 – Trucks, Less Apron

3301.00002 – Hanger, for Doors 1¾" to 2¼" Thick - Powder Coat Apron

3301.00003 – Hanger, for Doors 1¾" to 2¼" Thick - Zinc Apron

3301.00004 – Hanger, for Doors 2¼" to 3" Thick - Powder Coat Apron

3301.00005 – Hanger, for Doors 2¼" to 3" Thick - Zinc Apron



Hanger Assembly Shown

**3761 TRUCK/HANGER ASSEMBLY
WITH BALL BEARINGS**

Use: For power operated sliding doors 1¾" to 3" thick weighing up to **800 lbs.** per pair of trucks using No. 376 track. On applications for manual doors assembly is rated up to **1000 lbs.**

Head Clearance: Distance top of door to bottom of track; minimum 1⅞", maximum 3". Bottom of track to center of hole in sidewall bracket; 6".

Construction: 2¾" diameter machined steel wheels. Lateral and vertical adjustment.

Apron: ⅝" thick x 4" wide x 7½" long.

Finish: Zinc plated trucks/powder coated or zinc plated apron.

3761.00001 – Trucks, Less Apron

3761.00002 – Hanger, for Doors 1¾" to 2¼" Thick - Powder Coat Apron

3761.00004 – Hanger, for Doors 2¼" to 3" Thick - Powder Coat Apron

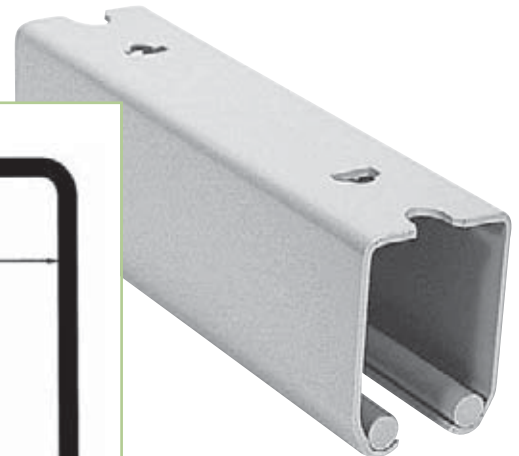
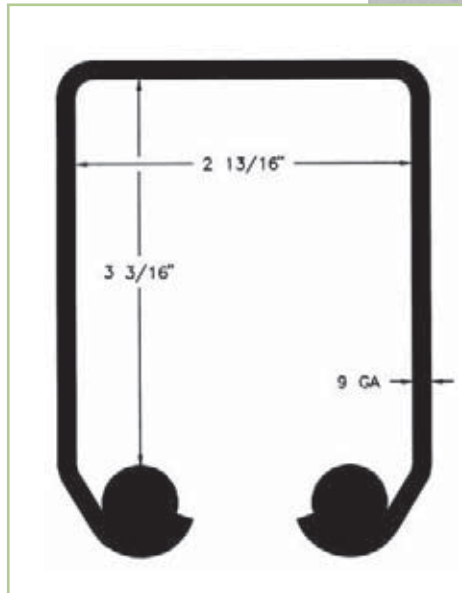


Hanger Assembly Shown

LOCK-JOINT® BOX TYPE TRACK • NO. 888 TRACK 5000 LB. CAPACITY PER PAIR OF TRUCKS

NUMBER 888 TRACK

0888.00329	Track 6'- 0"	Powder Coat
0888.00330	Track 8'- 0"	Powder Coat
0888.00331	Track 10'- 0"	Powder Coat



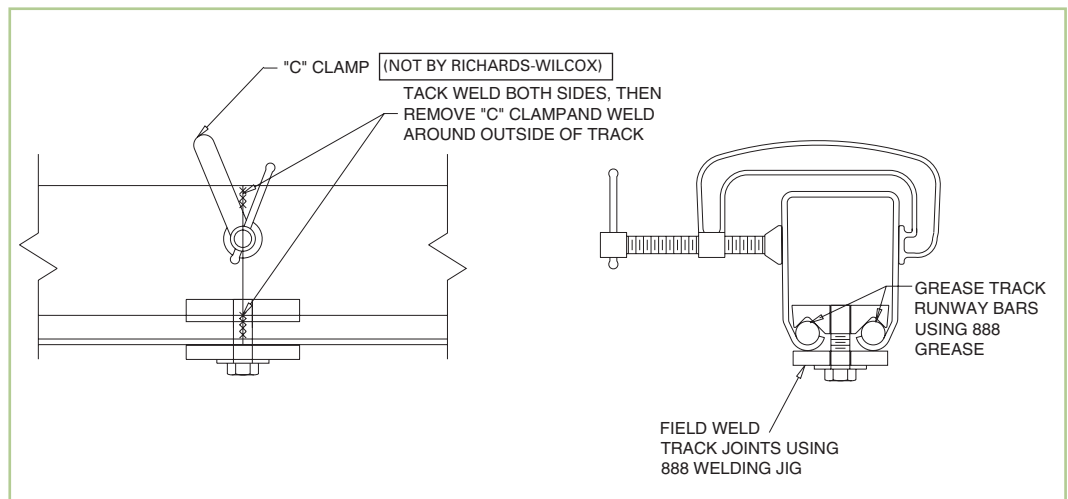
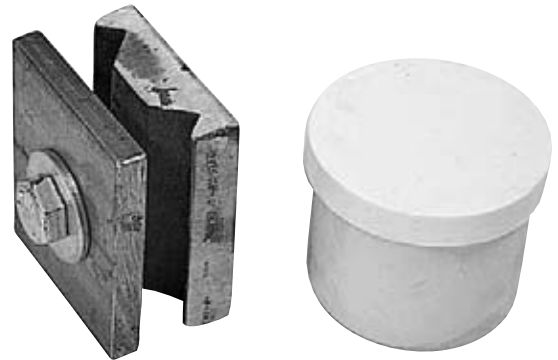
No. 888 Track, Cross Section

WELD/LUBE KIT

Use: Fixture to hold #888 track ends in alignment when field welded joint is required. Grease to be applied to track runways for smooth operation. Reusable for up to 30-50 weld operations, depending on temperature usage.

Construction: Brass or bronze fixture clamp parts, steel bolt, white grease.

Packed: Boxed with instruction sheet.

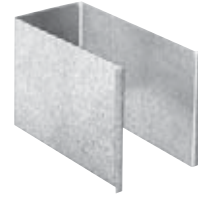


LOCK-JOINT® BRACKETS FOR NUMBER 888 TRACK**SIDEWALL MOUNTING**

Center
0888.00383 Powder Coat



Lock-Joint
0888.00386 Powder Coat



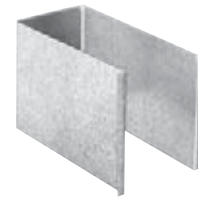
End Blind
0888.00388 Galvanized

OVERHEAD MOUNTING

Center
0888.00381 Powder Coat



Lock-Joint
0888.00387 Powder Coat



End Blind
0888.00388 Galvanized

Note: Maximum spacing between brackets is 60" on center for 2500 lb. capacity and 24" on center for 5000 lb. capacity. Tracks extend into center and end brackets 4½"

Use end blind in combination with any center bracket to produce an end bracket.

#888 track joints must be welded on all applications above 2500 lbs. See page 22 for welding kit information.

LOCK-JOINT® TRUCK/HANGER ASSEMBLIES • NO. 888 TRACK 1500/2500 LB. CAPACITY**8880 TRUCK/HANGER ASSEMBLY
WITH BALL BEARINGS**

Use: For manually operated or power operated sliding doors 1¾" to 3" thick weighing up to **1500 lbs.** per pair of trucks.

Head Clearance: Distance top of door to bottom of track; minimum 1⅜", maximum 2¾". Bottom of track to center of hole in sidewall bracket; 6¾".

Construction: 3" diameter machined steel wheels. Frame, malleable iron, lateral and vertical adjustment.

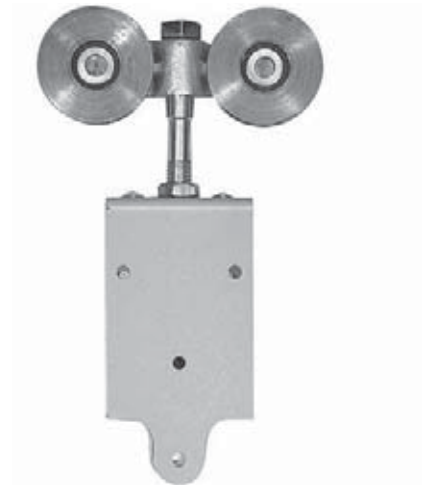
Apron: ⅝" thick x 4" wide x 7½" long.

Finish: Zinc plated trucks/powder coated apron.

8880.00001 – Truck, Less Apron

8880.00002 – Hanger, for Doors 1¾" to 2¼" Thick

8880.00004 – Hanger, for Doors 2¼" to 3" Thick



Hanger Assembly Shown

**8881 TRUCK/HANGER ASSEMBLY
WITH BALL BEARINGS**

Use: For manually operated or power operated sliding doors 2¼" to 3¾" thick weighing up to **2500 lbs.** per pair of trucks.

Head Clearance: Distance top of door to bottom of track; minimum 4½", maximum 6½". Bottom of track to center of hole in sidewall bracket; 6¾".

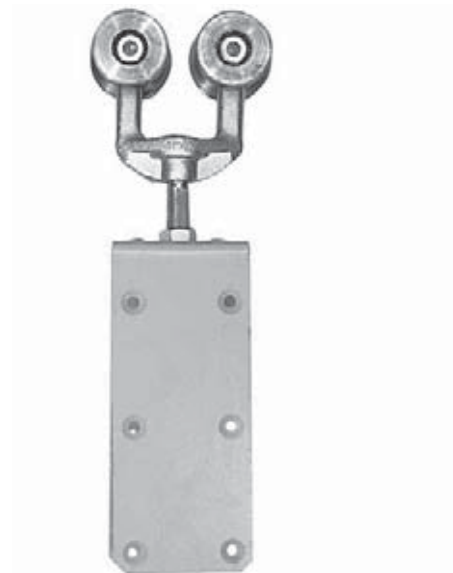
Construction: 3" diameter machined steel wheels. Frame, malleable iron, lateral and vertical adjustment.

Apron: ¼" thick x 5" wide x 11¾" long.

Finish: Zinc plated trucks/powder coated apron.

8881.00001 – Truck, Less Apron

8881.00002 – Hanger, for Doors 2¼" to 3¾" Thick



Hanger Assembly Shown

LOCK-JOINT® TRUCK/HANGER ASSEMBLIES • NO. 888 TRACK 2500/5000 LB. CAPACITY**8881 TANDEM TRUCK ASSEMBLY
WITH BALL BEARINGS**

Use: For manually operated or power operated sliding doors weighing up to **5000 lbs.** per pair of trucks.

Head Clearance: Distance top of door to bottom of track; minimum $7\frac{1}{8}$ ", maximum $10\frac{1}{8}$ ". Bottom of track to center of hole in sidewall bracket; $6\frac{3}{4}$ ".

Construction: 3" diameter machined steel wheels. Frame, malleable iron, and vertical adjustment. Load Bar: $1\frac{1}{4}$ " x 3" x 11" long steel.

Pendant Bolt: 1" diameter steel.

Finish: Zinc plated trucks/powder coated load bar.

8881.00017 Tandem Truck



Tandem Truck Assembly Shown

**8881 ANTI KICKUP TRUCK ASSEMBLY
WITH BALL BEARINGS**

Use: For manually operated or power operated sliding doors weighing up to **2500 lbs.** per pair of trucks. Larger wheels and guides prevent kickup.

Construction: 3" diameter machined steel wheels, Delrin guides. Frame, malleable iron, ball bearings, lateral and vertical adjustment.

Pendant Bolt: $\frac{7}{8}$ " diameter steel.

Finish: Zinc plated trucks

8881.00018 Anti Kickup Truck

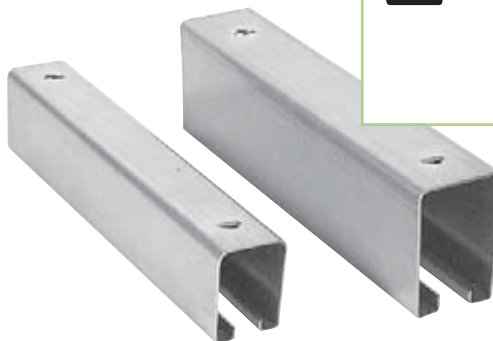
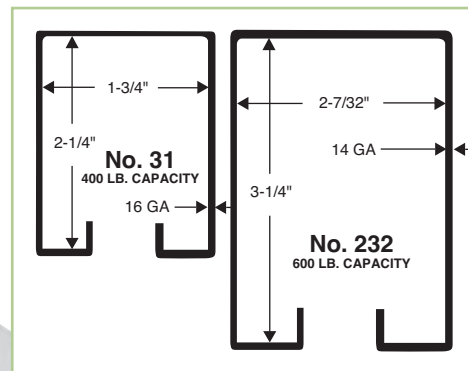


Truck Assembly Shown

STAINLESS STEEL HARDWARE • 304 GRADE STANDARD

STAINLESS STEEL TRACK

Track Number	Track Length		
	6	8	10
31	0031.00115SS	0031.00116SS	0031.00117SS
232	0232.00064SS	0232.00065SS	0232.00066SS



STAINLESS STEEL TRUCK/HANGER ASSEMBLIES

Part Number	Pound Capacity Per Pair	Description
3110.00001SS	400	Truck – Roller Bearings
3110.00006SS	400	Hanger, for Doors 1½" to 2¼" Thick
3120.00001SS	400	Truck – Delrin® Wheels
3120.00002SS	400	Hanger, for Doors 1½" to 2¼" Thick
2320.00001SS	600	Truck – Roller Bearings
2320.00006SS	600	Hanger, for Doors 1¾" to 2¼" Thick
2320.00008SS	600	Hanger, for Doors 2¼" to 2¾" Thick



Truck Assembly Shown



3120 Hanger Assembly Shown

STAINLESS STEEL ACCESSORIES



Bow Handle
0083.00002SS



Flush Pull
0072.00001SS



Stay Roller
0058.00002SS



Binder
0082.00007SS

STAINLESS STEEL LOCK-JOINT® BRACKETS FOR NUMBER 31 AND 232 TRACKS

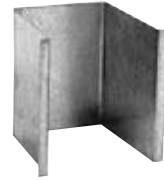
SIDEWALL MOUNTING



Center
0031.00044SS
0232.00121SS



Lock-Joint
0031.00051SS
0232.00122SS



End Blind
0031.00050SS
0232.00007SS

OVERHEAD MOUNTING



Center
0031.00061SS
0232.00018SS



Lock-Joint
0031.00063SS
0232.00020SS



End Blind
0031.00050SS
0232.00007SS



Cross Ear Center
0031.00085SS
0232.00044SS



Cross Ear Lock-Joint
0031.00089SS
0232.00048SS

SPECIALTY ZOO & VETERINARY HARDWARE

DOOR ACTUATORS & CROWDING DOOR HARDWARE

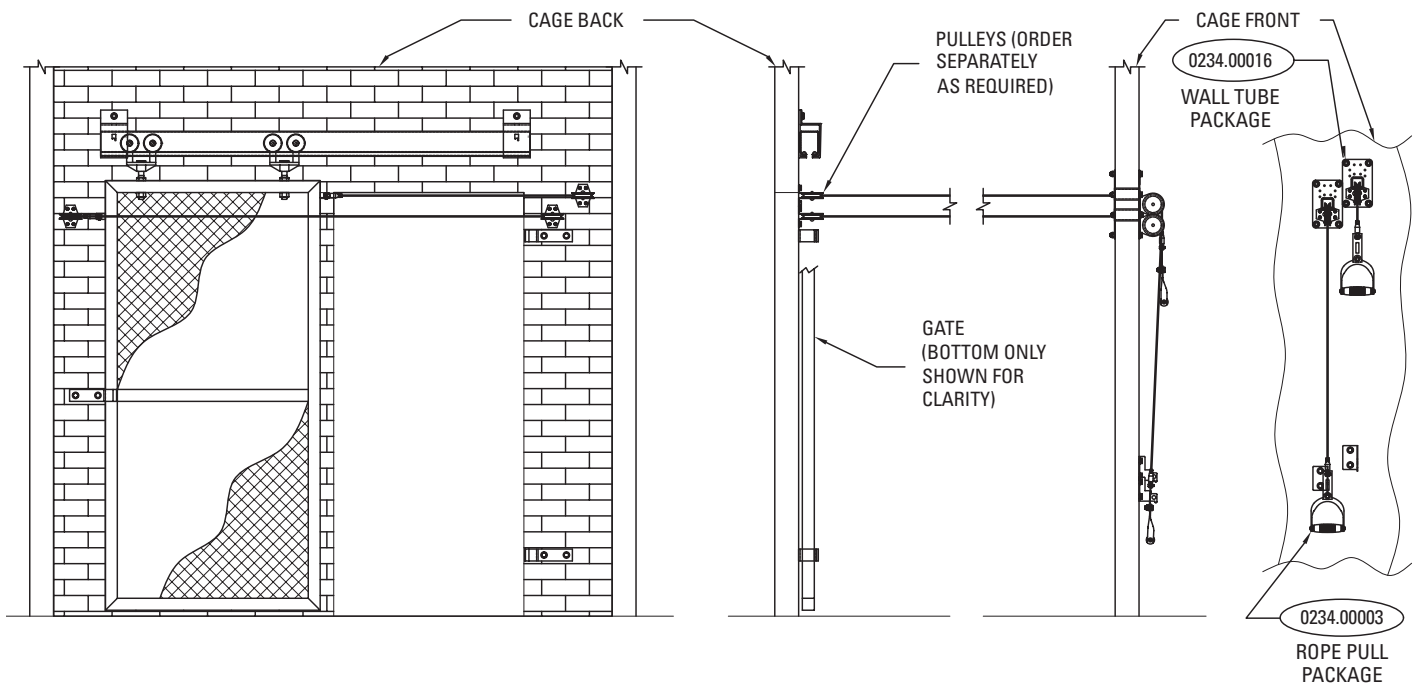
Richards-Wilcox custom designs door hardware to help move or hold animals in zoo and veterinary applications. Several styles of manual door actuators for guillotine or remote sliding doors ensure animal and keeper safety. Actuators are used in zoo environments, animal holding pens, research facilities and treatment centers.

Crowding door hardware helps in the movement of animals to exhibit or examination areas. For specific application information, consult Richards-Wilcox Hardware Customer Service.

234 SERIES REMOTE DOOR ACTUATOR

Construction: Heavy-duty $\frac{3}{16}$ " galvanized fiber core wire rope, ergonomically designed textured rubber handle, stainless steel or zinc finished handle.

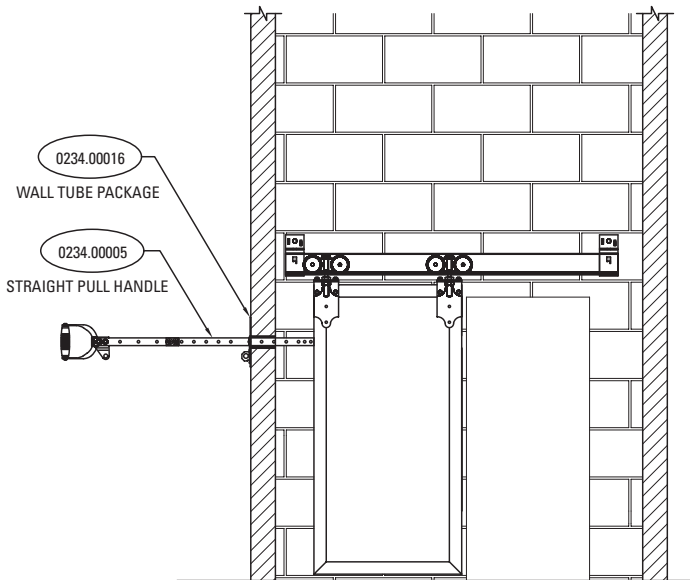
- Simple design for easy maintenance
- Optional pulleys allow gate in any position or distance
- Locks in down position
- Remote-operated gear box and handle available



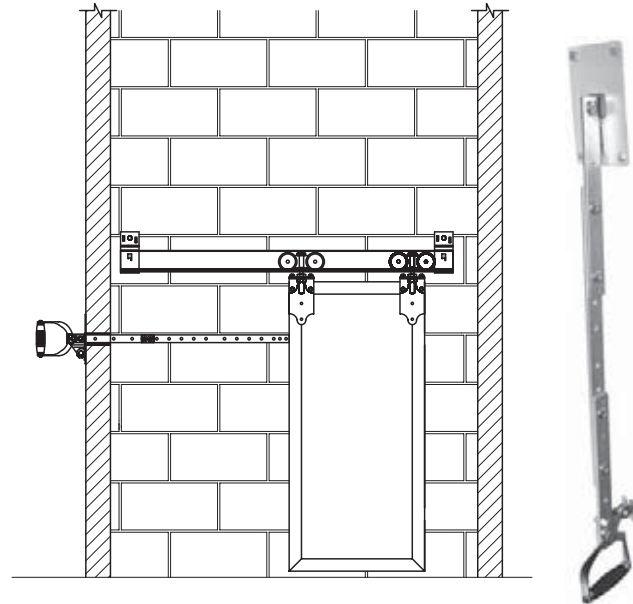
SPECIALTY ZOO & VETERINARY HARDWARE

234 SERIES SHIFT DOOR PULL

Construction: Heavy duty steel bar in stainless steel or zinc finish with ergonomically design textured rubber handle. Round head fasteners to protect animals



Shift Door Pull in Open Position



Shift Door Pull in Closed Position

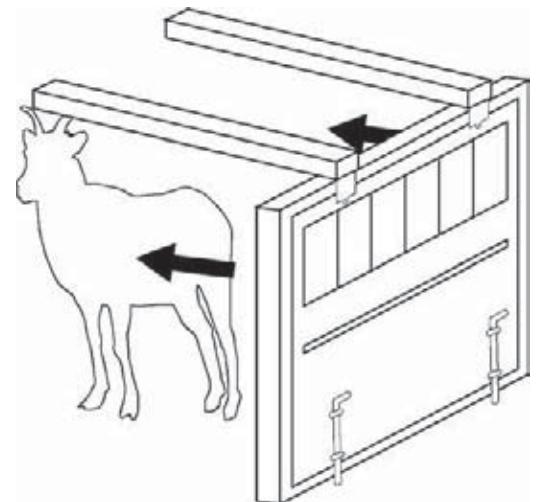
Two Models

- Rigid bar for small doors to lock in closed position
- Pivot unit for large doors to lock in open or closed position

CROWDING DOOR HARDWARE

Moving animals from containment to exhibit is no simple task at times. Richards-Wilcox, Inc. crowding door hardware helps to handle the job with precision, responding smoothly to the handler's direction.

Shown are door hangers, track, and bolts for crowding gates.



FLAT TRACK SYSTEM • 400 LB. CAPACITY

The newest addition to the flat track design for light-to-medium weight doors up to 400 lbs.

NUMBER 105 MEDIUM DUTY FLAT TRACK HARDWARE

Use: On Richards-Wilcox flat steel bar track for doors up to 1¾" thick weighing up to **400 lbs.**

Head Clearance: From top of door to top of hanger assembly 5¾".

Construction: 2⅛" Diameter wheel, sealed bearings.

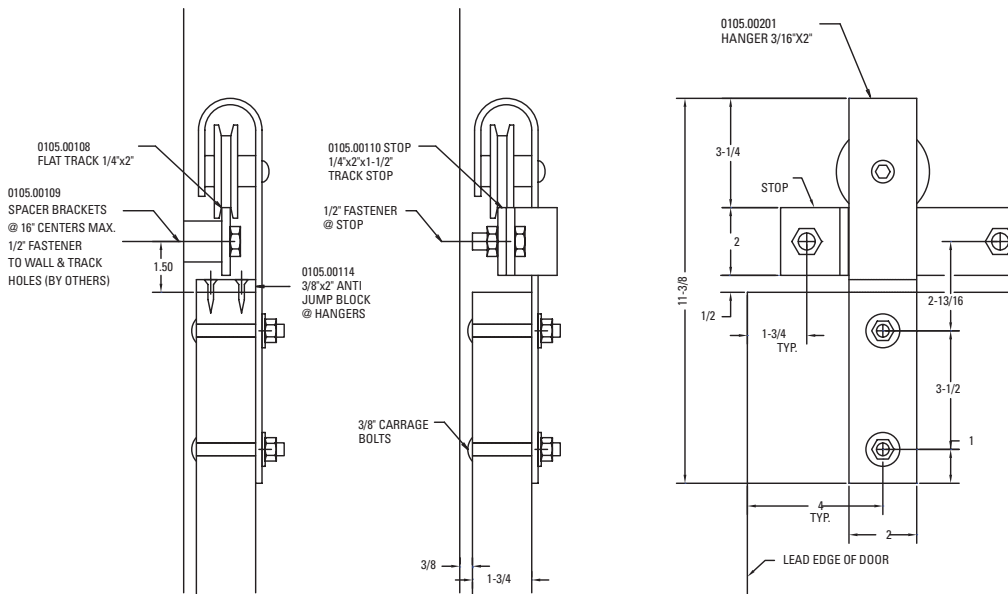
Apron: ⅜" x 2" x 11½"

Finish: Powder Coat

Two Styles:

0105.00201 Standard (Straight) Design

0105.01201 Decorative (Arrowhead) Design



0105.00201



0105.01201

NUMBER 105 FLAT TRACK

0105.00111.072	Medium Duty Flat Track w/6 Holes, 6'-0" Long
0105.00111.096	Medium Duty Flat Track w/7 Holes, 8'-0" Long
0105.00111.120	Medium Duty Flat Track w/9 Holes, 10'-0" Long
0105.00109	Flat Track Wall Spacer
0105.00110	Flat Track End Stops
0105.00114	Flat Track Anti-jump Block



Note: One wall spacer required per hole.

FLAT TRACK SYSTEM • 800 LB. CAPACITY

The industry has been using the Flat Track/Hanger concept since the early 1900's for a variety of applications.

NUMBER 102 FLAT TRACK HANGER ASSEMBLY

Use: On Richards-Wilcox flat steel bar track which projects a minimum $1\frac{15}{16}$ " (face of wall to centerline of wheel) for manually operated doors $1\frac{5}{8}$ " to $2\frac{1}{2}$ " thick weighing up to **800 lbs.** per pair of trucks.

Head Clearance: From top of track to top of truck/hanger assembly, $5\frac{3}{8}$ ".

Construction: Wheels 4" tread diameter; roller bearings.

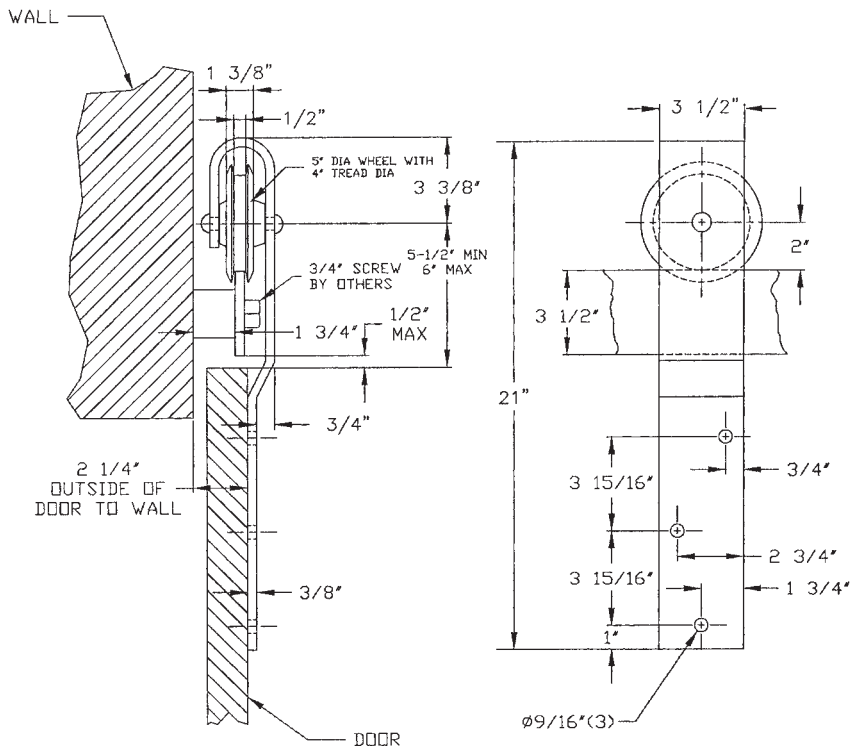
Apron: $\frac{3}{8}$ " x $3\frac{1}{2}$ " x 21" steel.

Finish: Powder Coat.

Two Styles:

0102.00075 for doors up to $1\frac{5}{8}$ " thick.

0102.00076 for doors up to $2\frac{1}{2}$ " thick.



0102.00075



0102.00076

NUMBER 102 FLAT TRACK

0102.00046	Flat Track with (4) Holes, 6' - 0" Long, Powder Coat Finish
0102.00048	Flat Track with (5) Holes, 8' - 0" Long, Powder Coat Finish
0102.00050	Flat Track with (6) Holes, 10' - 0" Long, Powder Coat Finish
0102.00055	Flat Track Bracket Spacer, Powder Coat Finish
0102.00087	End Stop/Bumper Assembly, Powder Coat Finish

Note: Flat track bracket spacer required on 30" centers.

Richards-Wilcox has been designing and manufacturing premium quality, heavy-duty door hardware since 1880. Our specialty hardware for sliding, swinging and slide-fold doors is used in a variety of unique applications and industries.

Architectural Applications



Track and Hangers for Sliding Doors
Contemporary Modular Home



Track and Hangers for Sliding Doors
Partition Wall in School Cafeteria



Museums



Track, Hangers, and Cane Bolts
Art Gallery, Adaptive Reuse of Warehouse

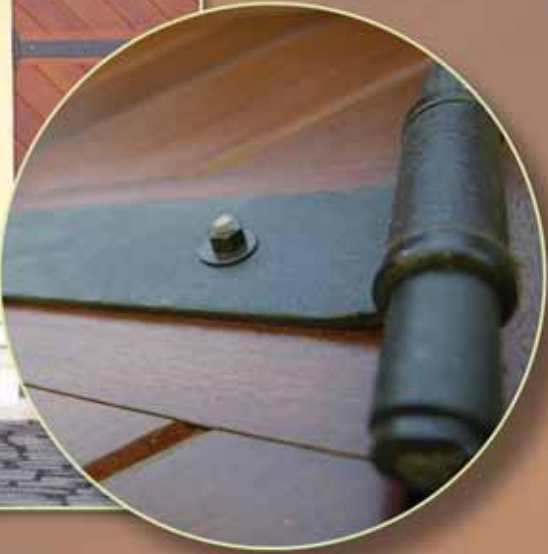


**Extra Heavy Duty Track, Brackets,
Hangers and Door Hardware**
Railroad Museum

Traditional Building



Hinges
Swinging Doors



Hinges
Swinging Doors



Traditional Building



Track and Hangers
Sliding Door



Track and Hangers
for Sliding Doors
Sliding Door



Traditional Building



Hinges and Latch
Swing Door
Multipurpose Residence



Hinges
Swinging Doors



Historic Preservation



Custom Designed Strap Hinges, Interior, Historic Fire Service Museum

Custom Designed Strap Hinges, Exterior, Historic Fire Service Museum



Barns



Strap Hinges
Swinging Doors

Strap Hinges
Swinging Doors



Stables Equine



Strap Hinges on Dutch Doors
Stable

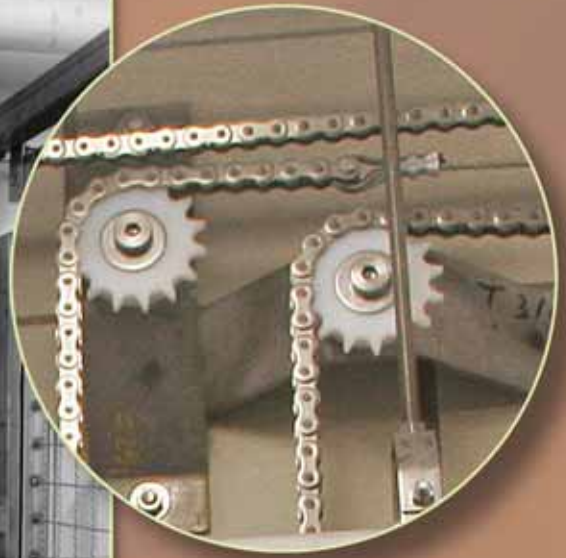
Track and Hangers for Sliding Doors
Horse Stall



Zoo



**Remote Door Actuator
Animal Containment**



Zoo



Stainless Steel Track, Brackets, and Hangers
Zoo Animals



Track, Brackets, Hangers and Door Pulls
Zoo Compound



DOOR HARDWARE

GUIDE ROLLERS

0054.00003 GUIDE ROLLER

Wheel, high impact nylon, 2½" diameter. Covered with steel frame, 6" long x 2¾" high x 2" wide.

Finish: Zinc plated.

No fasteners included.



0058.00002 GUIDE ROLLER

For doors 1½" to 2¾" thick. Adjustable and reversible. Wheel, high impact nylon, 2½" diameter. Steel frame, 4½" long x 2½" high x 1¼" wide.

Finish: Powder Coat.

No fasteners included.



0059.00007 GUIDE ROLLER (With Back Brace)

Extra high to suit door on incline track. Wheel, 3" diameter. Steel frame, 2½" wide x ¾" thick. Distance from floor to center of wheel, 8¾". Overall height, 9½".

Finish: Powder Coat.

No fasteners included.



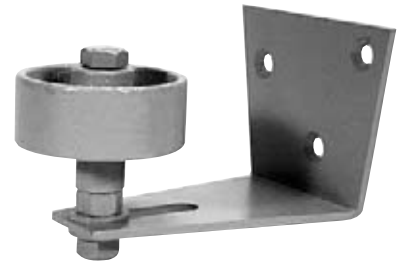
0153.00005 GUIDE ROLLER

Adjustable and reversible for inside or outside doors 1¼" to 3" thick. Wheel, 3" diameter.

Construction: Steel frame.

Finish: Powder Coat.

No fasteners included.



0154.00004 GUIDE ROLLER

Wheel, 3" diameter. Heavy steel frame with slotted screw holes provides means for adjustment. 7" long x 3" high x 5" wide.

Construction: Steel Frame.

Finish: Powder Coat.

No fasteners included.



DOOR HARDWARE

DOOR PULLS

0070.00005 FLUSH DOOR PULL (Standard Duty)

For doors up to 1 $\frac{3}{4}$ " thick. Requires $\frac{7}{8}$ " deep mortise.

0070.00006 FLUSH DOOR PULL (Standard Duty)

For doors over 1 $\frac{3}{4}$ " thick. Requires 1 $\frac{1}{16}$ " deep mortise.

Inside dimension of cup 1 $\frac{7}{16}$ " wide x 3 $\frac{1}{2}$ " high x $\frac{7}{8}$ " deep

Finish: Steel/powder coat.

Size: 4" x 6"

Fasteners included.



0470.00001 FLUSH PULL (Heavy Duty)

For very heavy doors 1 $\frac{3}{4}$ " or more in thickness. Requires 1 $\frac{3}{4}$ " deep mortise.

Finish: Malleable iron/powder coat.

No fasteners included.



0535.00489 FLUSH PULL – Black Powder Coat Finish (Light Duty)

0535.00615 FLUSH PULL – Brushed Aluminum Finish (Light Duty)

Designed for use with any door 1 $\frac{3}{8}$ " or more in thickness. Requires $\frac{7}{8}$ " deep mortise.

Fasteners included.



0072.00002 FLUSH PULL – Stainless Steel

Designed for use with any door 1 $\frac{3}{8}$ " or more in thickness.

Finish: US26D chrome.

Fasteners included.



DOOR HARDWARE

BOW HANDLES

0071.00001 BOW HANDLE (6½" long)

0071.00002 BOW HANDLE (7¾" long)

Steel construction. Bolt holes register with Model 70 flush pulls.

Finish: Powder Coat.

No fasteners included.



0081.00001 BOW HANDLE (6¾" long)

0081.00002 BOW HANDLE (8" long)

Constructed of malleable iron.

Finish: Powder Coat.

Fasteners included.



0191.00001 BOW HANDLE

Constructed of malleable iron.

Size: 15" long.

Finish: Powder Coat.

No fasteners included.



HEAVY HASP

0182.00020ZC HEAVY HASP (up to 1¾" thick doors)

0182.00030ZC HEAVY HASP (up to 3" thick doors)

For use with heavy doors as a combination door bumper, binder, and hasp.

Construction: Hasp, malleable iron/staple, steel. Length, main body, on wall, 7⅞". Length of hinged overleaf 5".

Finish: Zinc Plated.

Fasteners included.



DOOR HARDWARE

FLOOR GUIDE AND TRACK

0739.00026 FLOOR GUIDE

For use on wood doors 1 $\frac{3}{8}$ " and over. Number of guides should equal number of truck/hanger assemblies used on doors.

Should be located directly in line with truck/hanger assemblies on sliding doors. Rollers held in contact with the guide track by light spring pressure; swivels when used with folding doors.

Finish: Powder Coat.

Fasteners included.



0739.00028 FLOOR GUIDE TRACK

Designed for use with the 0739.00026 Floor Guide on single sliding or folding wood door applications.

Available in single track sets 10' - 0". Use multiple sets for parallel sliding doors.

Construction: Heavy steel bars, $\frac{3}{8}$ " x $\frac{1}{2}$ " x 10' - 0".

Finished: Powder Coat.

No fasteners included.



DOOR HARDWARE

GUIDE ROLLER STRIPS

Mounts directly to face of door. When door moves, stay roller operates against strip instead of causing wear to door.

Construction: Steel 1/8" x 1 1/2". Countersunk holes for #10 flat head screws.

Finish: Powder Coat.

No fasteners included

Part Number	Length
0647.00238	3'
0647.00250	4'
0647.00274	6'
0647.00298	8'
0647.00322	10'



CONCEALD FLOOR GUIDE & FLOOR GUIDE CHANNEL

Holds bottom of sliding doors in place to prevent unwanted kick out. Concealed channel mounts to bottom of wood doors 1 3/4" thick or greater that have been routed to accept channel.

Construction: Guide Channel: 1 1/4" x 1 1/4" x Length

Finish: Aluminum

Part Number	Description
0105.00108.36	Door Bottom Guide Channel, 36" Long
0105.00108.42	Door Bottom Guide Channel, 42" Long
0105.00108.48	Door Bottom Guide Channel, 48" Long
0105.00108.54	Door Bottom Guide Channel, 54" Long
0105.00108.60	Door Bottom Guide Channel, 60" Long
0105.00108.66	Door Bottom Guide Channel, 66" Long
0105.00108.72	Door Bottom Guide Channel, 72" Long
0105.00108.78	Door Bottom Guide Channel, 78" Long
0105.00108.84	Door Bottom Guide Channel, 84" Long
0105.00108.90	Door Bottom Guide Channel, 90" Long
0105.00108.96	Door Bottom Guide Channel, 96" Long
0105.00107	Door Bottom Guide Block



DOOR HARDWARE

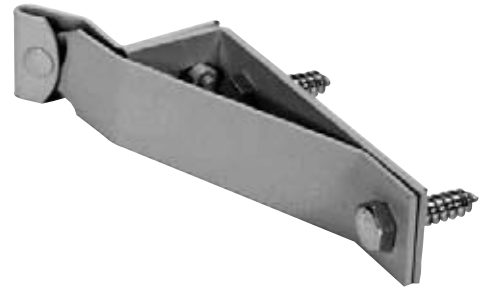
BINDERS/STOPS

0089.00004 ADJUSTABLE DOOR BINDER AND STOP

For doors 1 $\frac{3}{4}$ " to 3" thick. Three-piece steel construction, base $\frac{3}{16}$ " thick, brace $\frac{1}{8}$ " thick by 1 $\frac{3}{4}$ " wide. End is flared to receive door. May be used at front or back of door.

Finish: Powder Coat.

Fasteners included.



BUMPER SHOE

0102.00136 (Powder Coat)

0102.00137 (Galvanized)

3 $\frac{1}{2}$ " high x 3 $\frac{1}{2}$ " wide x $\frac{3}{4}$ " deep. To protect the corners of wood doors where they come in contact with binders, bumpers, and guides. 16 gauge steel.

Fasteners included.



0572.00001 END STOP (Shown with Bumper Shoe)

For straight sliding doors, any thickness.
Height, 2 $\frac{1}{4}$ ". Door receiving space: 2" x 2". Malleable iron.
Reversible for right- or left-hand. Adjustable to and from wall.

Finish: Powder Coat.

No fasteners included.

NOTE: Bottom of wood doors that comes into contact with guides should be protected by steel bumper shoes which must be ordered separately.



STEEL BINDER - 82 SERIES

Steel, $\frac{1}{4}$ " thick x 2" wide for three thicknesses of doors.

STEEL BINDER - 102 SERIES

Steel, $\frac{3}{8}$ " thick x 3" wide for doors 1 $\frac{3}{4}$ " or 2 $\frac{1}{2}$ " thick.

Finish: Powder Coat.

No fasteners included.

Part Number	Door Thickness
82 SERIES	
0082.00002	1 $\frac{3}{4}$ "
0082.00005	2 $\frac{1}{2}$ "
0082.00007	3"
102 SERIES	
0102.00033	1 $\frac{3}{4}$ "
0102.00034	2 $\frac{1}{2}$ "



82 Series



102 Series

DOOR HARDWARE

FLOOR CENTER STOP

0171.00001 FLOOR CENTER STOP* (up to 2⁵/₁₆" door thickness)

0171.00003 FLOOR CENTER STOP* (2¹/₄" to 3" door thickness)

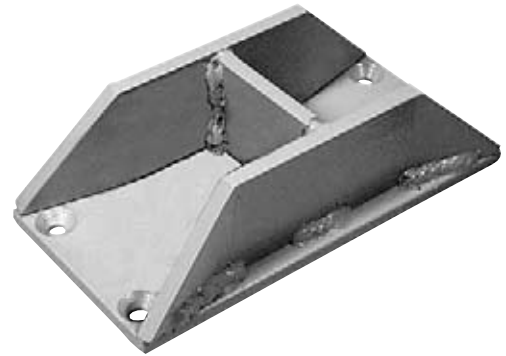
Can be fastened to floor or imbedded in concrete.

Construction: Steel.

Finish: Powder Coat.

No fasteners included.

***Note:** Bottom of wood doors that comes in contact with guides should be protected by steel bumper shoes which must be ordered separately. See parts 0102.00136 or 0102.00137.



DOOR HOLDER

0119.00003 DOOR HOLDER

For wall attachment.

Construction: Spring Steel.

Finish: Powder Coat.

Fasteners included.



DOOR GUIDE SET

0771.00003 DOOR GUIDE SET*

For four-fold garage doors of any thickness.

Two malleable iron pieces, one 18" wide, the other 10³/₄" wide.

On out opening doors place long piece on inside and short piece on outside of opening.

Finish: Powder Coat.

No fasteners included.

***NOTE:** Bottom of wood doors that comes in contact with guide should be protected by steel bumper shoes which must be ordered separately. See parts 0102.00136 and 0102.00137.



DOOR HARDWARE

DOOR LATCHES

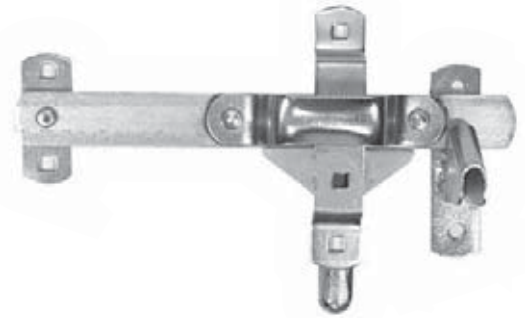
0125.00015 DOOR LATCH - Door opens from both sides.

Construction: Latch bar, steel. Lever handle, malleable iron.

Application: For large swing doors up to 3" thick. Operate latch by turning lever handle on far side or lifting handle on near side. Latch bar $\frac{5}{16}$ " x $1\frac{1}{2}$ " x $13\frac{5}{8}$ " long. Reversible for left or right hand doors.

Finish: Zinc plated. Optional longer spindle for thicker doors.

No fasteners included.



Door Latch

0128.00010 OFFSET DOOR LATCH (Powder Coat Latch Bar and Keeper Zinc Plated)

0128.00012 OFFSET DOOR LATCH (Zinc Plated)

Construction: Latch bolt, malleable iron- $\frac{1}{2}$ " x 8". Keeper and guides, steel.

Application: For medium sized swing or slide doors. Reversible for left or right hand doors. Offset latch ends prevent accidental opening by vibration.

Fasteners included.



Offset Door Latch

0128.00011ZC OFFSET DOOR LATCH (Zinc Plated)

0128.00011 OFFSET DOOR LATCH (Powder Coat)

Construction: Latch bolt, malleable iron - $\frac{3}{4}$ " x 12". Keeper and guides, steel.

Application: For large sized swing or slide doors. Reversible for left or right hand doors. Offset latch ends prevent accidental opening by vibration.

Finish: See above.

Fasteners included.



Offset Door Latch

0128.00014 LATCH PADLOCK STAPLE

Construction: Steel- $1\frac{3}{4}$ " wide x $2\frac{1}{4}$ " high x $1\frac{1}{4}$ " projection.

Application: To be used with Series 128 latches when padlock is required.

Finish: Zinc plated.

No fasteners included.



DOOR HARDWARE

DOOR LATCHES

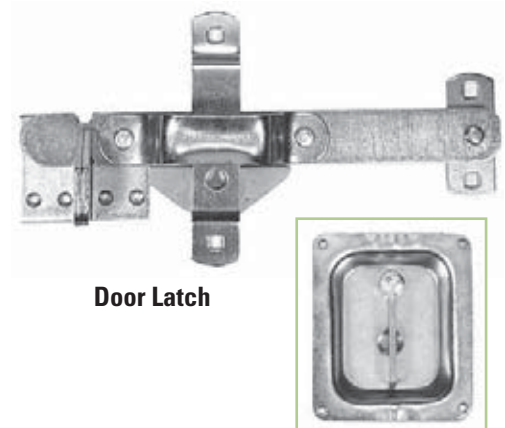
0152.00023 DOOR LATCH - Door opens from both sides.

Application: For large swing or slide doors from 1¾" to 2¾" thick. Operate latch by turning flush handle on far side or lifting handle on near side. Reversible for left or right hand doors. Keeper has aligning holes for padlock. Latch bar size, 5/16" x 1½" x 13 5/8" long. Flush cup size, 3" x 3 7/8" high inside.

Construction: Steel.

Finish: Zinc plated. Optional longer spindle for thicker doors.

No fasteners included.



Door Latch

**0225.00043 SMALL DOOR LATCH
0225.00045 MEDIUM DOOR LATCH**

Door opens from both sides.

Construction: Latch bar, steel. Handles, malleable iron.

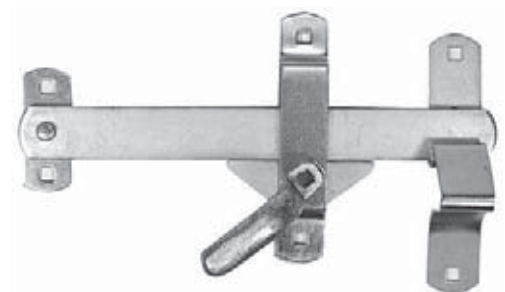
Application: For small and medium sized swing doors from 1¾" to 2 5/8" thick. Operate latch bar from either side by turning handle. Reversible for left or right hand doors.

Finish: Zinc plated. Optional longer spindle for thicker doors.

No fasteners included.



Small Door Latch
0225.00043



Medium Door Latch
0225.00045

Part Number	Handle Type	Latch Bar
0225.00043	Tee	¼" x 1" x 10" Long
0225.00045	Lever	5/16" x 12" x 13 5/8" Long

**1025.00019 DOOR LATCH (Left Hand)
1025.00026 DOOR LATCH (Right Hand)**

Use: For small sized swing or slide doors.

Construction: Steel. Latch Bar: 3/16" x 1" x 6 1/4" long.

Finish: Powder Coat.

Fasteners included.



Left Hand Shown

DOOR HARDWARE

SPRING AND CANE BOLTS

0434.00096 SPRING BOLT WITH 0434.00027 KEEPER (Medium Duty)

0434.00096 SPRING BOLT WITH 0434.00248 KEEPER (Medium Duty)

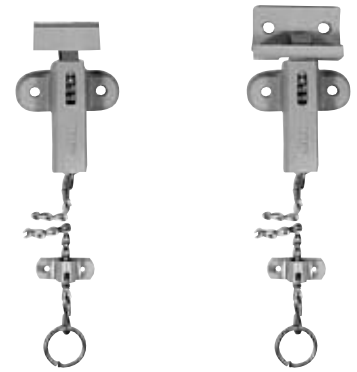
Construction: Bolt and housing, malleable iron. Keeper, steel.

Application: For securing medium sized swing or slide-fold doors in the closed position. Available with two types of keepers to meet most door applications. Includes 36" steel chain with ring and clip.

Bolt Size: 4¾" wide x 6" long x 1⅞" projection.
When ordering, specify keeper desired (sold separately).

Finish: Powder Coat.

No fasteners included.



Keeper Shown
0434.00027

Keeper Shown
0434.00248

0514.00036 SPRING BOLT (Light Duty)

Application: For securing small sized swing or slide-fold doors in the closed position. Includes both keepers for hinge side or stop side mounting and 36" steel chain with ring and clip.

Bolt Size: 3½" wide x 9" long x 1½" projection.

Construction: Steel.

Finish: Powder Coat.

Fasteners included.



0514.00038 SPRING BOLT (Heavy Duty)

Application: For securing large sized swing or slide-fold doors in the closed position. Includes keeper for hinge side mounting, and 60" steel chain with ring and clip.

Bolt Size: 4¼" wide x 9" long x 1¾" projection.

Construction: Bolt, housing, and keeper malleable iron.

Finish: Powder Coat.

Fasteners included.

NOTE: No. 0434.00027 keeper can be used for stop side mounting. Furnished at additional charge.



CANE BOTTOM BOLTS (Heavy Duty)

Construction: Steel. Bolt drops by gravity when handle is lifted out of socket. Keeper installed in wood or concrete floor.

Application: For garage, warehouse, or swinging doors.

Finish: Zinc or black zinc plated.

Fasteners included.

Part Number	Dimensions	Projection from Door
0524.00021	5/8" x 18" Long	15/16"
0524.00023	3/4" x 24" Long	17/16"
0524.00021BZC	5/8" x 18" Long	15/16"
0524.00023BZC	3/4" x 24" Long	17/16"



DOOR HARDWARE

HEAVY DUTY CREMONE BOLT

Application: For securing medium sized swing or slide-fold doors at the top and bottom with the movement of one lever handle. Connection of the rods to the lever handle is made with offset arms. The top and bottom bolts can only be retracted by movement of the lever handle. Models with exterior lever handle are designed for doors 1³/₄" to 4" thick.

Assembly is designed for openings up to 6' - 8" to 23' - 0" high. Lever handle located 48" from floor line, throw of bolt 3", projection from door 5⁵/₈". Keepers are included to meet most applications.

Construction: Bolts, guides, and handles are malleable iron. Rods-³/₄" diameter steel.

Finish: Zinc plated.

Ordering Data: Specify cremone bolt assembly based on door height and thickness (for external handle). Specify options if required.

Part #	Description	Weight per Unit
--------	-------------	-----------------

HEAVY DUTY CREMONE BOLTS

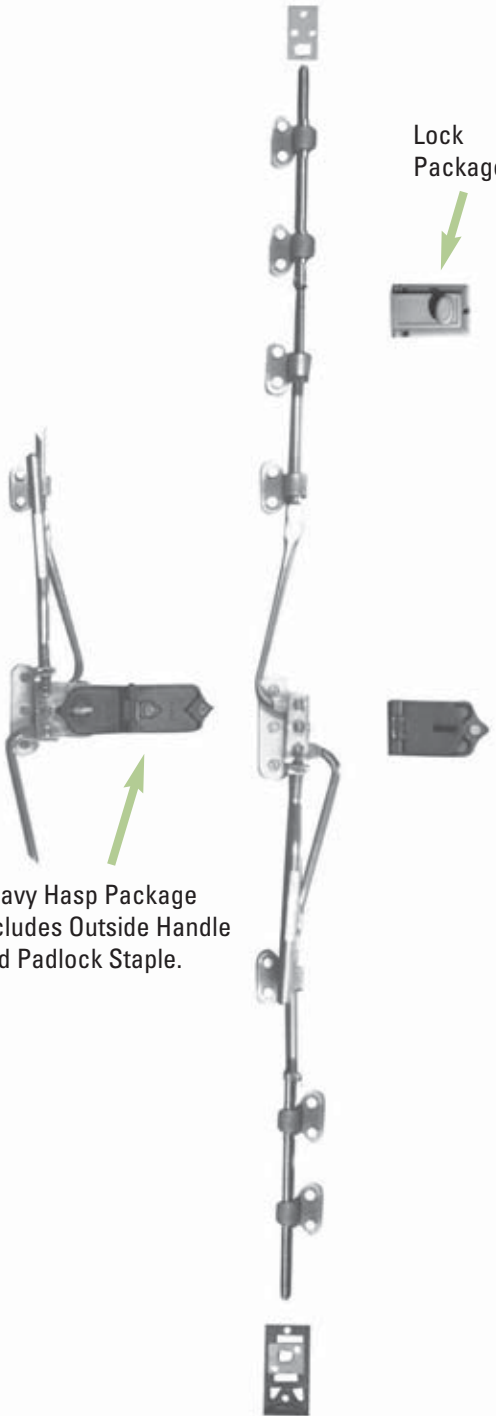
1028.00310.008	Heavy Duty Cremone Bolt – Zinc Plated – 6' - 8" to 8' Door Height	50 lb.
1028.00310.009	Heavy Duty Cremone Bolt – Zinc Plated – 8' to 9' - 6" Door Height	50 lb.
1028.00310.011	Heavy Duty Cremone Bolt – Zinc Plated – 9' - 6" to 11' Door Height	50 lb.
1028.00310.012	Heavy Duty Cremone Bolt – Zinc Plated – 11' to 12' - 6" Door Height	50 lb.
1028.00310.014	Heavy Duty Cremone Bolt – Zinc Plated – 12' - 6" to 14' Door Height	53 lb.
1028.00310.015	Heavy Duty Cremone Bolt – Zinc Plated – 14' to 15' - 6" Door Height	53 lb.
1028.00310.017	Heavy Duty Cremone Bolt – Zinc Plated – 15' - 6" to 17' Door Height	53 lb.
1028.00310.018	Heavy Duty Cremone Bolt – Zinc Plated – 17' to 18' - 6" Door Height	53 lb.
1028.00310.020	Heavy Duty Cremone Bolt – Zinc Plated – 18' - 6" to 20' Door Height	53 lb.
1028.00310.021	Heavy Duty Cremone Bolt – Zinc Plated – 20' to 21' - 6" Door Height	53 lb.
1028.00310.023	Heavy Duty Cremone Bolt – Zinc Plated – 21' - 6" to 23' Door Height	53 lb.

CREMONE BOLT ACCESSORIES

1028.00330	Cremone Bolt Auxiliary Handle Package	
1028.00340	Cremone Bolt Key Lock/Knob Package with Auxiliary Handle Included	
1028.00350	Cremone Bolt Key Lock Both Sides Package with Auxiliary Handle Included	
1028.00360	Cremone Bolt Heavy Hasp Package	
1028.00370	Cremone Bolt 3' Add-On Package	

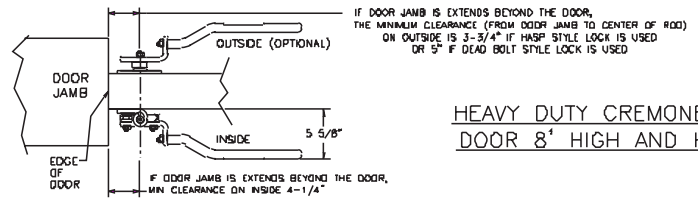
DOOR HARDWARE

HEAVY DUTY CREMONE BOLT

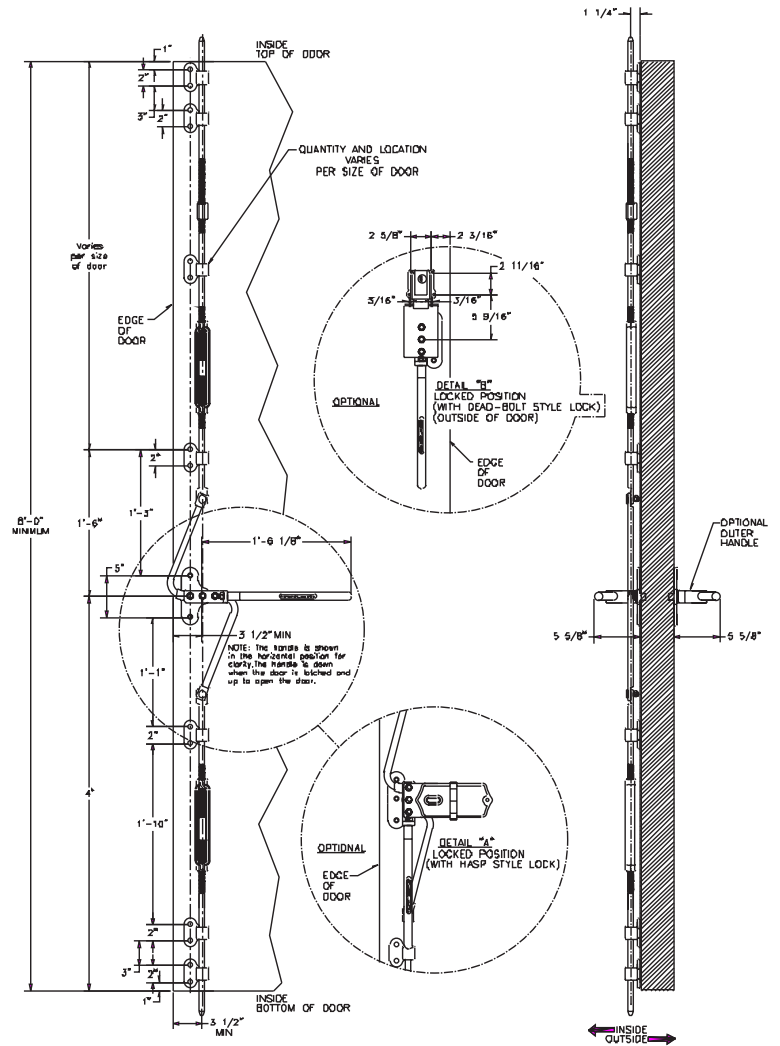


Lock Package

Heavy Hasp Package Includes Outside Handle and Padlock Staple.



HEAVY DUTY CREMONE BOLT
DOOR 8' HIGH AND HIGHER



Note: See Architectural Binder, CD, or website for Full Size CAD Drawings.

DOOR HARDWARE

EXTRA HEAVY DUTY CREMONE BOLT

Application: For securing large sized industrial swing or slide-fold doors at the top and bottom with the movement of one lever handle. Connection of the rods to the lever handle is made with offset arms. The top and bottom bolts can only be retracted by movement of the lever handle. Models with exterior handle are designed for doors 1³/₄" to 4" thick.

Regular assembly is designed for openings up to 6' - 8" to 23' - 0" high. Lever handle located 48" from floor line, throw of bolt 3", projection from door 5⁵/₈". Included are keepers to meet most applications.

Construction: Bolts, guides, and handles, are malleable iron. Rods-³/₄" diameter steel.

Finish: Zinc plated.

Ordering Data: Specify cremone bolt assembly based on door height and thickness (for external handle). Specify options if required.

Part #	Description	Weight per Unit
--------	-------------	-----------------

EXTRA HEAVY DUTY CREMONE BOLTS

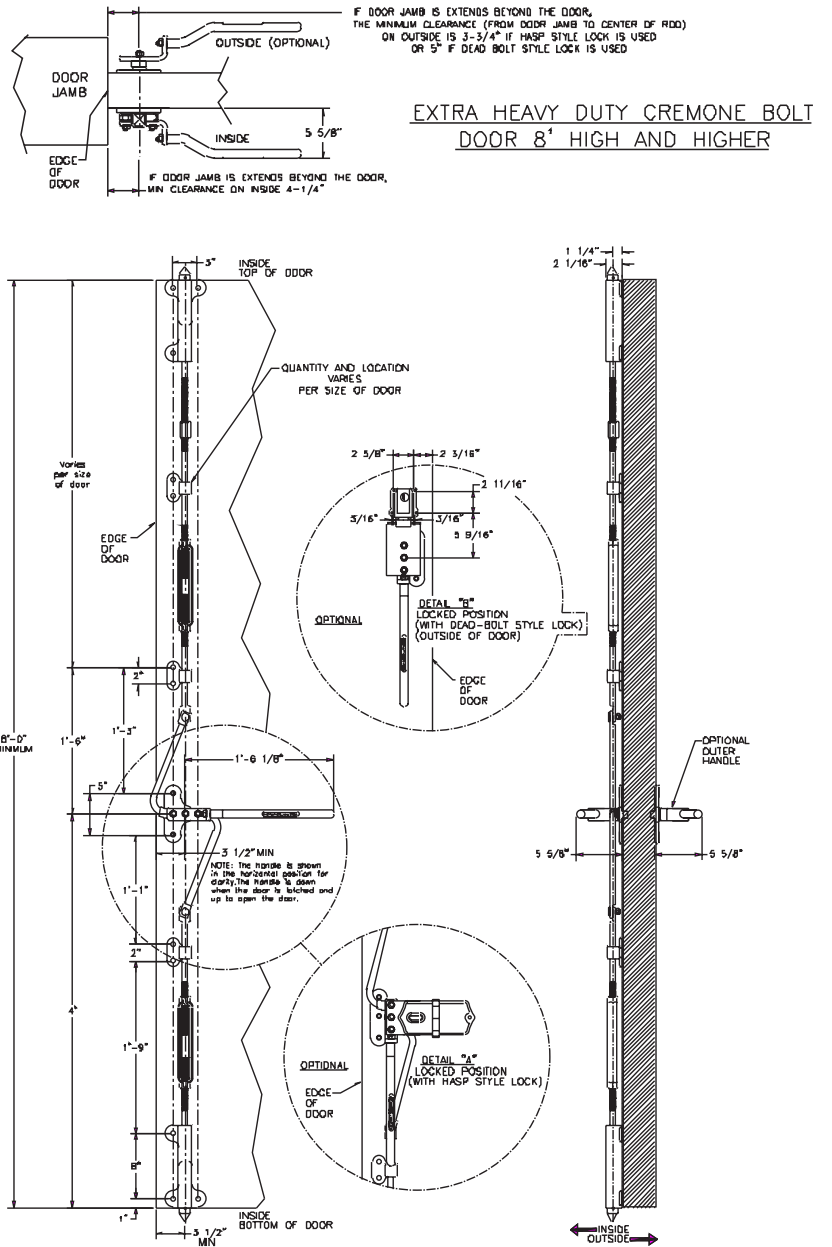
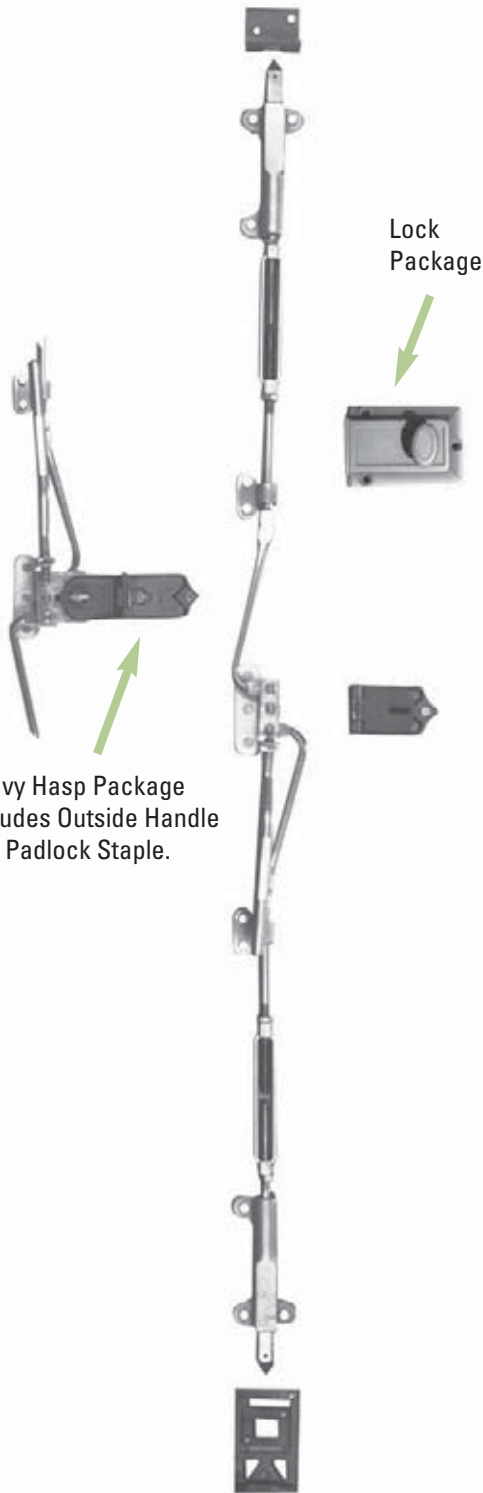
1028.00320.009	Extra Heavy Duty Cremone Bolt – Zinc Plated – 8' - 0" to 9' - 0" Door Height	75 lb.
1028.00320.010	Extra Heavy Duty Cremone Bolt – Zinc Plated – 9' - 0" to 10' - 0" Door Height	75 lb.
1028.00320.012	Extra Heavy Duty Cremone Bolt – Zinc Plated – 10' - 0" to 12' - 6" Door Height	75 lb.
1028.00320.014	Extra Heavy Duty Cremone Bolt – Zinc Plated – 12' - 6" to 14' - 6" Door Height	78 lb.
1028.00320.017	Extra Heavy Duty Cremone Bolt – Zinc Plated – 14' - 6" to 17' - 6" Door Height	78 lb.
1028.00320.020	Extra Heavy Duty Cremone Bolt – Zinc Plated – 17' - 6" to 20' - 6" Door Height	81 lb.
1028.00320.023	Extra Heavy Duty Cremone Bolt – Zinc Plated – 20' - 6" to 23' - 6" Door Height	81 lb.

CREMONE BOLT ACCESSORIES

1028.00330	Cremone Bolt Auxiliary Handle Package	
1028.00340	Cremone Bolt Key Lock/Knob Package with Auxiliary Handle Included	
1028.00350	Cremone Bolt Key Lock Both Sides Package with Auxiliary Handle Included	
1028.00360	Cremone Bolt Heavy Hasp Package	
1028.00370	Cremone Bolt 3' Add-on Package	

DOOR HARDWARE

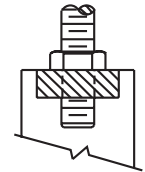
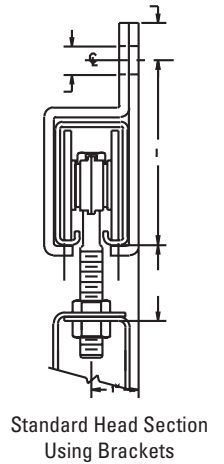
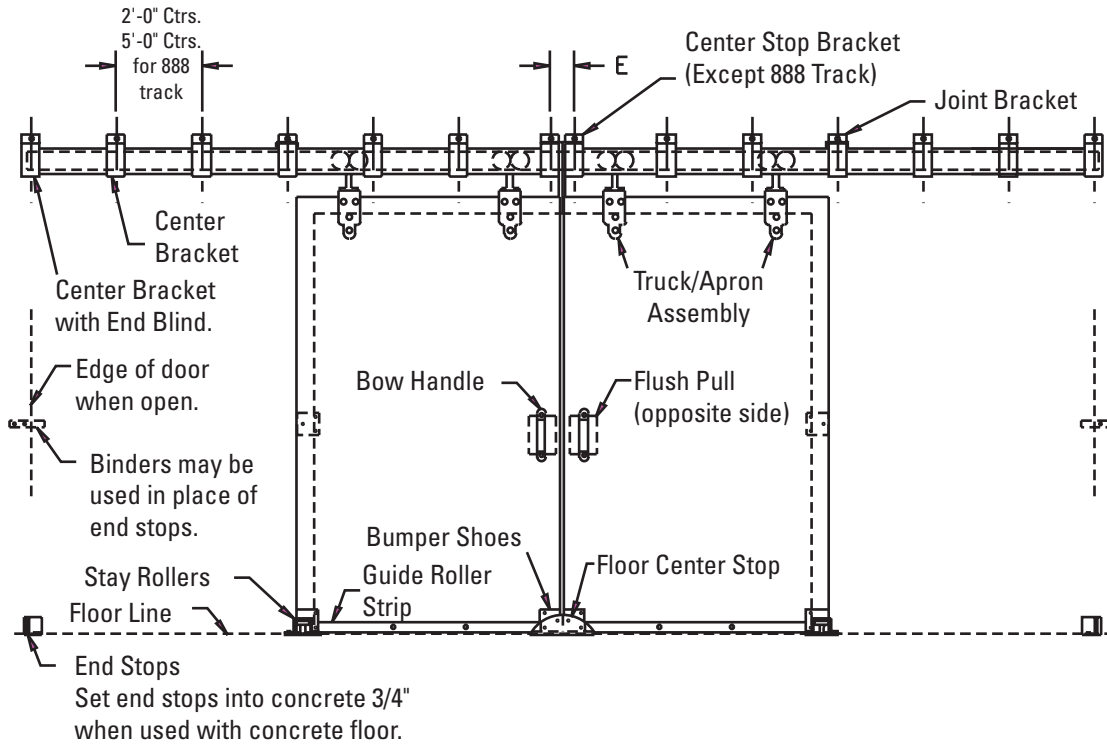
EXTRA HEAVY DUTY CREMONE BOLT



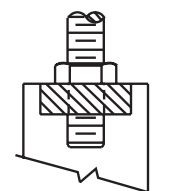
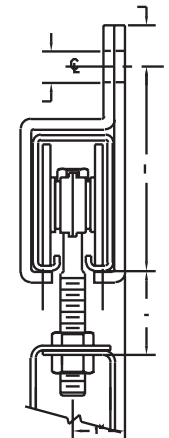
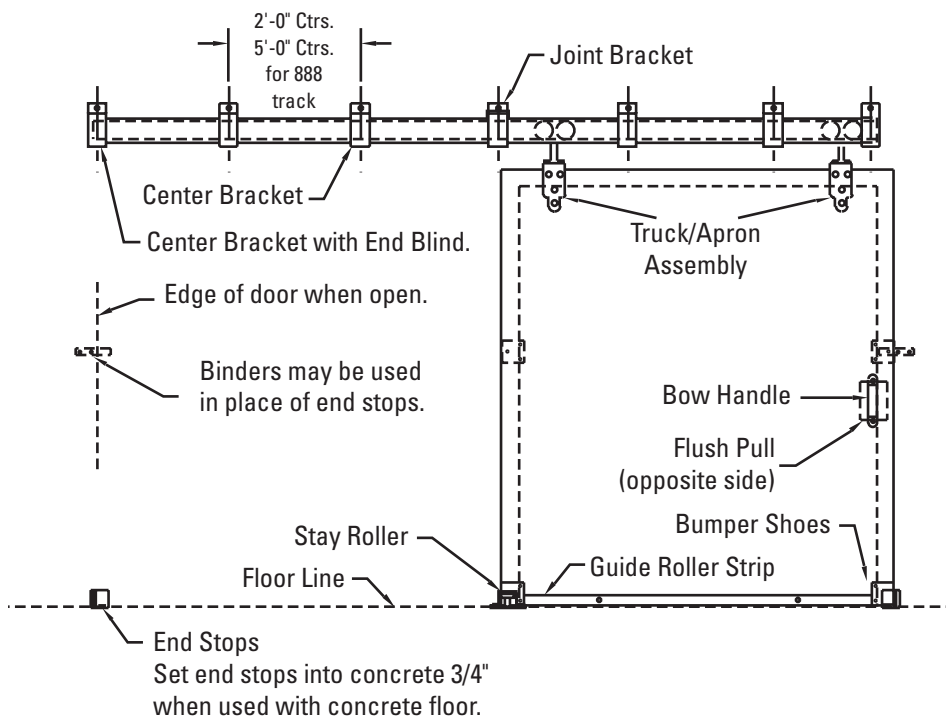
Note: See Architectural Binder, CD, or website for Full Size CAD Drawings.

SINGLE AND BI-PARTING SLIDING DOOR HARDWARE SETS

BI-PARTING SLIDING DOOR HARDWARE SETS



SINGLE SLIDING DOOR HARDWARE SETS



HARDWARE SETS • FOR WOOD AND METAL DOORS

SINGLE AND BI-PARTING DATA

For Doors Weighing _ Pounds	Thickness of Door	Kit Number		Track Number	Hanger Number	Distance from Top of Door to Bottom of Track		Distance Bottom of Track to Center of Bracket Bolt Hole	Center of Bracket Bolt Hole to Top of Bracket	Diameter of Bracket Bolt	Bolt Hole Centers on Crt. Stop Bracket (Bi-Parting only)
		Single Door	Bi-Parting Door			Min.	Max.				

MANUAL DOORS

400	1½" to 2¼"	1610 ¹	2610 ¹	31	3110.00002	1¼"	2½"	3¾"	13/16"	3/8"	23/8"
600	1¾" to 2¼"	1620 ¹	2620 ¹	232	2320.00002	1⅞"	2¾"	5¼"	7/8"	5/8"	3⅞"
600	1¾" to 2¼"	1621 ²	2621 ²	232	2321.00002	1⅞"	2¾"	5¼"	7/8"	5/8"	3⅞"
600	2¼" to 2¾"	1622 ¹	2622 ¹	232	2320.00004	1⅞"	2¾"	5¼"	7/8"	5/8"	3⅞"
600	2¼" to 2¾"	1623 ²	2623 ²	232	2321.00004	1⅞"	2¾"	5¼"	7/8"	5/8"	3⅞"
800	1¾" to 2¼"	1630 ¹	2630 ¹	330	3300.00002	1⅞"	2¾"	5½"	1"	½"	33/8"
800	1¾" to 2¼"	1631 ²	2631 ²	330	3301.00002	1⅞"	2¾"	5½"	1"	½"	33/8"
800	2¼" to 3"	1632 ¹	2632 ¹	330	3300.00004	1⅞"	2¾"	5½"	1"	½"	33/8"
800	2¼" to 3"	1633 ²	2633 ²	330	3301.00004	1⅞"	2¾"	5½"	1"	½"	33/8"
1000	1¾" to 2¼"	1640 ¹	2640 ¹	376	3300.00002	1⅞"	2¾"	6"	1"	5/8"	33/8"
1000	2¼" to 3"	1642 ¹	2642 ¹	376	3300.00004	1⅞"	2¾"	6"	1"	5/8"	33/8"
1000	1¾" to 2¼"	1645 ²	2645 ²	376	3301.00002	1⅞"	2¾"	6"	1"	5/8"	33/8"
1000	2¼" to 3"	1649 ²	2649 ²	376	3301.00004	1⅞"	2¾"	6"	1"	5/8"	33/8"

POWER OR MANUAL DOORS

800	1¾" to 2¼"	1641 ²	2641 ²	376	3761.00002	13/8"	3"	6"	1"	5/8"	33/8"
800	2¼" to 3"	1643 ²	2643 ²	376	3761.00004	13/8"	3"	6"	1"	5/8"	33/8"
1500	1¾" to 2¼"	1650 ²	2650 ²	888	8880.00002	13/8"	2¾"	6¾"	1"	3/4"	—
1500	2¼" to 3"	1652 ²	2652 ²	888	8880.00004	13/8"	2¾"	6¾"	1"	3/4"	—
2500	2¼" to 3¾"	1651 ²	2651 ²	888	8881.00002	4½"	6½"	6¾"	1"	3/4"	—
5000	per application			888	8881.00017						

Note #1: Please specify door opening when pricing and ordering.

Note #2: 888 Track joints must be welded on all manual 2500 to 5000 lb. applications and all powered applications.

Note #3: Hardware sets listed for power operations can also be used with manually operated doors.

¹ Roller Bearing

² Ball Bearing

SLIDE-FOLD 434 HARDWARE SETS

No. 434 Slide-Fold Hardware Sets are to be used on large manually operated and power operated door applications which require the door panels to slide-fold to each jamb, leaving a clear opening. The 434 slide-fold hardware is available in two sizes for maximum 18'- 0" wide openings and total door weights up to 5,000 lbs.

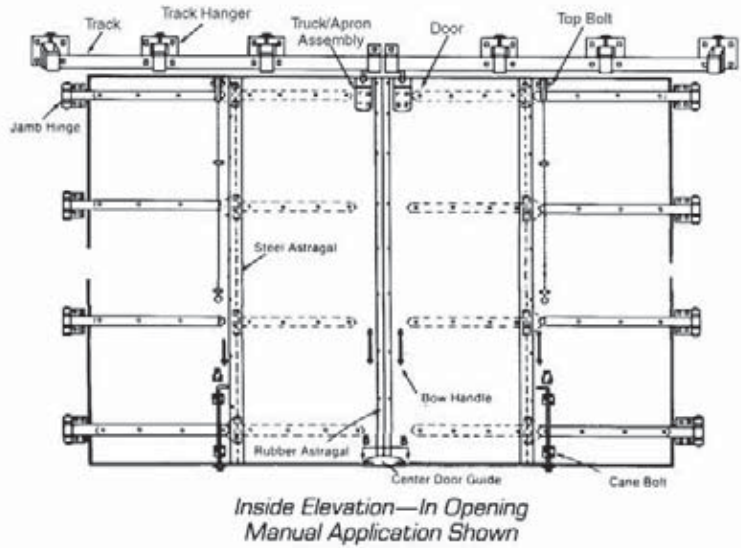
Catalog Number	Maximum Total Weight for a Set of 4 Doors
434x376 Hardware	Up to 2,000 Lbs
434x888 Hardware	2,000 Up to 5,000 Lbs.

Hardware sets consists of: Truck/Hanger assemblies, tracks, brackets, jamb hinges, center hinges, back plates, bow handles, center floor guide, top bolts, and cane bolts.

Disc Bearing Hinges: recommended for manually operated doors.

Ball Bearing Hinges: recommended for all power operated doors and any manually operated doors which will have a high frequency of use.

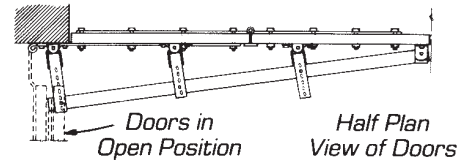
NOTE: Top bolts and cane bolts are used on manually operated sets only.



OPTIONAL EQUIPMENT (Order Separately)

Weatherstrip: No. 216 astragal is used on the vertical door edges at the center of the doorway. No. 216 Weathersweep is used along the bottom of the doors).

No.1028 Cremone Bolt: Cremone bolts can be used in place of cane and spring bolts.



HINGE REQUIREMENTS

- Doors up to 8' high require 3 hinges.
- Doors 8'- 1" to 12' high require 4 hinges.
- Doors 12'- 1" to 16' high require 5 hinges.
- Doors 16'- 1" to 20' high require 6 hinges.

WEIGHT TABLE

Sets of Hinges Per Hardware Set	434 x 376 Hardware Shipping Weight	434 x 888 Hardware Shipping Weight
3 Sets	725 Pounds	825 Pounds
4 Sets	850 Pounds	950 Pounds
5 Sets	1000 Pounds	1100 Pounds
6 Sets	1175 Pounds	1275 Pounds

SPECIFICATIONS REQUIRED FOR ORDERING

- A: Width and height of opening.
- B: Width, height, and thickness of doors.
- C: Door and jamb construction.
- D: Jamb and headroom conditions—Provide sketch or drawing showing available clearances.
- E: Specify if doors are to swing "In" or "Out".

SLIDE-FOLD 1035 HARDWARE • 2-6 DOOR SETS

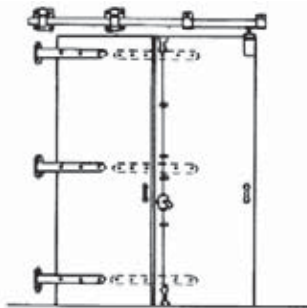
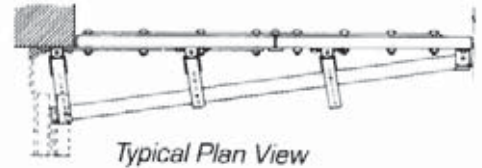
SLIDE-FOLD 1035 HARDWARE 2-6 DOOR SETS

Designed for use on medium sized manually operated slide-fold doors. These hardware sets are available for door applications using two through six door sections supported by jamb hinges, center hinges, and hangers which operate in lock-joint track. Locking bolts and hinges are available in different combinations to meet most door applications.

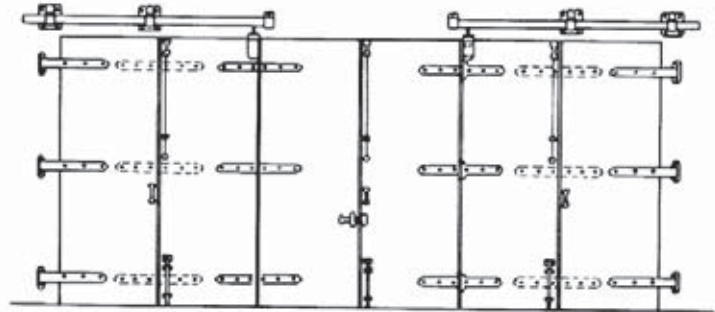
Best results are obtained by using door widths of 3'- 0" or less (4'- 0" max. on two door set).

Door weight should not exceed 250 pounds per section. Doors weighing more than 250 pounds should use No. 434 slide-fold hardware.

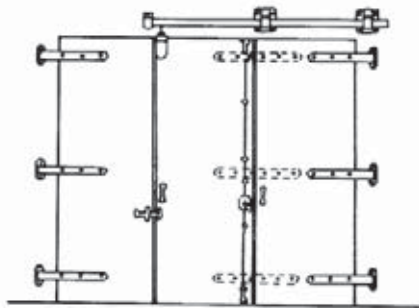
No. 1035 sets include: hangers, track, brackets, jamb hinges, center hinges, bow handles, locking bolts with keepers, bumper shoes, floor guides, and fasteners for attaching hardware to door. (Wall bolts are excluded). A heavy bar latch is supplied with those sets having a passage swing door (3, 4, 5, & 6 door applications).



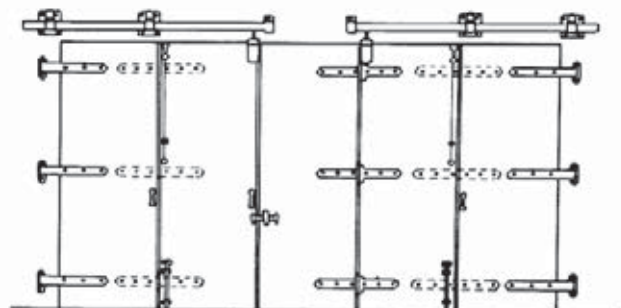
No. 1035-B2



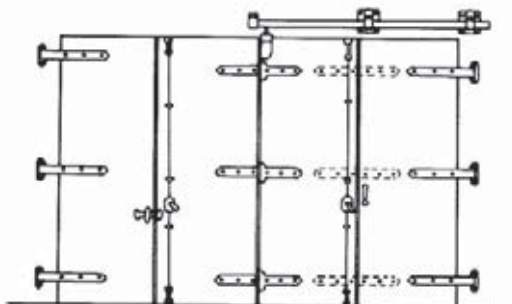
No. 1035-A6



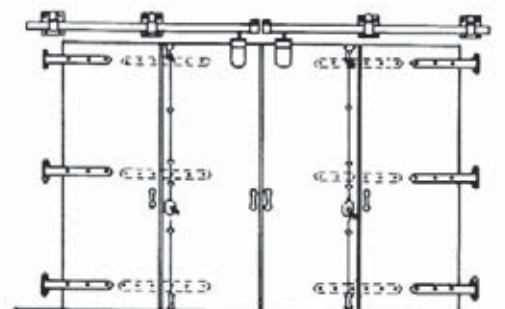
No. 1035-B3



No. 1035-A5



No. 1035-B4



No. 1035-B4 1/2

SLIDE-FOLD NO. 1035 HARDWARE • TRACK SERIES 330, DOOR WEIGHT UP TO 250 LBS. EACH

Kit Part Number	Headroom Required	Weight Pounds	Kit Part Number	Headroom Required	Weight Pounds
2 Door Sets for Openings up to 8 ft. Wide			3 Door Sets for Openings up to 9 ft. Wide		
1035-A2-330	8½"	129	1035-A3-330	8½"	149
1035-B2-330	8½"	134	1035-B3-330	8½"	136
4 Door Sets – 2 Folding Each Way for Openings up to 12 ft. Wide			4 Door Sets – 3 Folding One Way for Openings up to 12 ft. Wide		
1035-A4½-330	8½"	238	1035-A4-330	11½"	193
1035-B4½-330	2⅛"	256	1035-B4-330	11½"	202
5 Door Sets for Openings up to 15 ft. Wide			6 Door Sets for Openings up to 18 ft. Wide		
1035-A5-330	11½"	285	1035-A6-330	11½"	295
1035-B5-330	11½"	297	1035-B6-330	11½"	313

OUT OPENING DOORS

Door applications which require the doors to open on the exterior side must be designated with an "O" as a prefix to the catalog number. Specific hardware parts are used on out opening doors to provide clearance to allow the doors to fully open.

LOCKING BOLT COMBINATIONS

Sets with the "A" combination use No. 514 top bolts and No. 524 cane bolts. Sets with the "B" combination use No. 1028 cremone bolts.

ORDERING INSTRUCTIONS

1. Please state the number of sets desired and the catalog number as selected from the chart above.
2. Add the prefix "O" to the catalog number if doors are to open out.
3. Select the hinge combination desired.
4. Provide the opening size (width x height), door thickness and construction to insure that proper quantities of hardware and screws are furnished.
5. Add suffix "No. 4" for disc bearing hinges. Add suffix "No. 5" for ball bearing hinges.

Example: 1 set O-1035-B 4½"-330-Hinge combination No. 4, for an opening 12'- 0" x 8'- 0" high, using 1¾" thick wood doors.

SLIDE-FOLD NUMBER 1035 DOOR HARDWARE

Description		Hardware Sets Using 330 Track for Doors Weighing Up to 250 Pounds Each	
		Catalog Number	Shipping Weight Each
Hangers Assembly In Opening Doors		0435.00225	9 lb.
Hangers Assembly Out Opening Doors*		0435.00226	9 lb.
Track †		330	4 lb./ft.
Center Bracket		0435.00185	5 lb.
Intermediate Bracket		1035.00100	11 lb.
End Bracket		1035.00105	16 lb.
Jamb Hinge — Disc Bearing	19"	1035.00266	6 lb.
"	24"	1035.00267	7 lb.
"	30"	1035.00268	9 lb.
"	36"	1035.00269	10 lb.
Jamb Hinge — Ball Bearing	19"	1035.00270	6 lb.
"	24"	1035.00271	7 lb.
"	30"	1035.00272	9 lb.
"	36"	1035.00273	10 lb.
Center Hinge — Disc Bearing	15"	1040.00006	5½ lb.
" (1½ Offset)*	15"	1040.00010	6 lb.
Center Hinge — Ball Bearing	15"	1040.00007	5¾ lb.
" (1½ Offset)*	15"	1040.00013	7 lb.
Bow Handle*		0081.00001	½ lb.
Bow Handle		0081.00002	1 lb.
Center Floor Guide		0771.00003	7¾ lb.
Bumper Shoes (per pair)		0102.00136	½ lb.
Door Holder		0119.00003	¼ lb.
Latch		0225.00043	2¾ lb.
Cane Bolt		0524.00021	3½ lb.
Top Bolt		0514.00036	2¾ lb.
Cremona Bolt		1028.00310	11 lb.

* Use these parts on out opening sets.

† Track length determined by opening width.

SLIDE-FOLD NUMBER 1035 DOOR HARDWARE

HANGERS



Hanger Assembly (330)
 0435.00226 (Out Opening)
 0435.00225 (In Opening)
Finish: Powder Coat

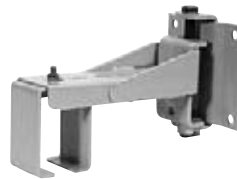
TRACK AND BRACKETS



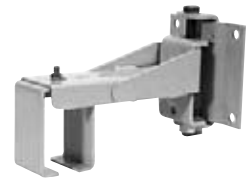
330 Track
376 Track
Finish: Powder Coat



Center Bracket
 0435.00185 (for 330 sets)
 0435.00199 (for 376 sets)
Finish: Powder Coat



Intermediate Bracket
 1035.00100 (for 330 sets)
 1035.00114 (for 376 sets)
Finish: Powder Coat

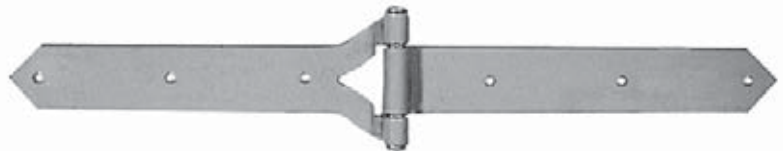


End Bracket
 1035.00105 (for 330 sets)
 1035.00119 (for 376 sets)
Finish: Powder Coat

HINGES



Jamb Hinge
 1035 Series (for 1035 sets)
Finish: Powder Coat

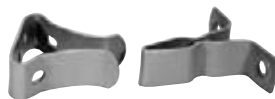


Center Hinge
 1040 Series (for 1035 sets)
Finish: Powder Coat

MISCELLANEOUS



Floor Guide
 0771.00003
Finish: Powder Coat



Door Holder
 0119.00003 (for 330 sets)
Finish: Powder Coat



Bow Handle
 0081.00001 (330) (Out Opening)
 0081.00002 (330) (In Opening)
 0191.00001 (for 376 sets)
Finish: Powder Coat



Latch
 0225.00043 (for 330 sets)
Finish: Zinc Plated

SLIDE-FOLD NUMBER 434 DOOR HARDWARE

Description	434 x 376 Hardware for Doors Weighing Up to 500 Pounds Each		434 x 888 Hardware for Doors Weighing Up to 1250 Pounds Each	
	Catalog Number	Shipping Weight Each	Catalog Number	Shipping Weight Each
Hanger Assembly	2434.00024	12 lb.	2434.00028	16 lb.
Track †	376	5¾ lb./ft.	888	8 lb./ft.
Center Bracket	0435.00199	6 lb.	0434.00229	15 lb.
Intermediate Bracket	1035.00114	16 lb.	0434.00230	20 lb.
End Bracket	1035.00119	20 lb.	0434.00231	25 lb.
Jamb Hinge*	434- "B"	Varies	434- "B"	Varies
" with Ball Bearings	434- "F"	Varies	434- "F"	Varies
" with Disc Bearings	434- "W"	Varies	434- "W"	Varies
Center Hinge BB or BD*	434- "K"	Varies	434- "K"	Varies
Bow Handle	0191.00001	2¾ lb.	0191.00001	2¾ lb.
Center Floor Guide	0771.00003	7¾ lb.	0771.00003	7¾ lb.
Top Bolt ††	0434.00096	7 lb.	0434.00096	7 lb.
Cane Bolt ††	0524.00023	5 lb.	0524.00023	5 lb.

OPTIONAL EQUIPMENT

Neoprene Astragal	216	1¼ lb./ft.	216	1¼ lb./ft.
Weatherstrip	216	¾ lb./ft.	216	¾ lb./ft.
Cremona Bolt ††	1028.00310	53 lb.	1028.00310	53 lb.

† Track length determined by opening size.

* Hinge Size determined by door weight and size.

†† For use on manually operated doors only.

SLIDE-FOLD NUMBER 434 DOOR HARDWARE

HANGERS



Hanger Assembly
2434.00028 (for 888 sets)
Finish: Powder Coat

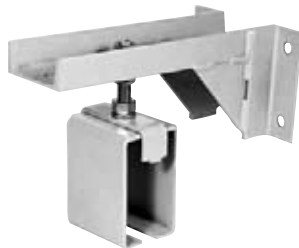


Hanger Assembly
2434.00024 (for 376 sets)
Finish: Powder Coat

TRACK AND BRACKETS



888 Track
Finish: Powder Coat

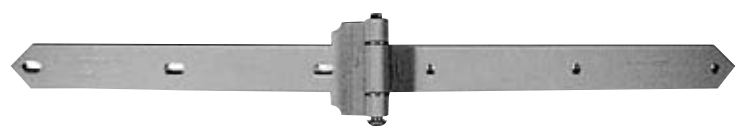


Bracket for 888
0434.00230 (Inter.)
0434.00231(End)
Finish: Powder Coat

HINGES



Ball Bearing Jamb Hinge
434-B (for 434 sets)
Finish: Powder Coat



Ball Bearing Center Hinge
434-K (for 434 sets)
Finish: Powder Coat

MISCELLANEOUS



Floor Guide
0771.00003
Finish: Powder Coat



Door Holder
0119.00003 (for 330 sets)
Finish: Powder Coat



Bow Handle
0191.00001 (for 888 sets)
Finish: Powder Coat



Latch
0225.00043 (for 330 sets)
Finish: Zinc Plated

DOOR HARDWARE

FUSIBLE LINKS

Listed by Underwriter's Laboratories, Inc. in the following ranges for loads up to **30 lbs.:**

0097.00135 135°F

0097.00165 165°F

0097.00212 212°F

0097.00370 370°F

Boxed Weight: ½ oz. each.

Pioneered by Richards-Wilcox and manufactured to rigid U.L. requirements, fusible links provide a heat-activated mechanism that assures positive closing of doors, windows, hatchways, dampers, and blowers. The links fuse when their rated temperature is reached, releasing the open door to block the path of the fire. The links can be used individually, or in combinations. In multi-link assemblies the door load is equally spread over all links such that the door will be released even if only one link fails.

NOTE: Links should not be powder coated, since this will alter the fusing temperature. Also, individual links may be used only for weights up to the specified capacities and with a straight pull (force applied parallel to the axis of the link). If links are subjected to loads in excess of this rating, or if used in any manner other than a straight pull, they may break, endangering people and property. To insure the safest door operation, links should be replaced annually. RICHARDS-WILCOX SPECIFICALLY DISCLAIMS ANY WARRANTY IF THE ABOVE CONDITIONS ARE NOT MET.



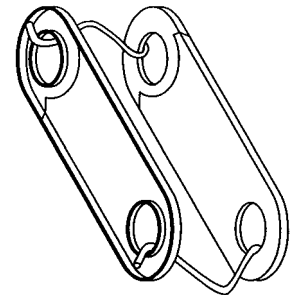
Fusible Link

MULTIPLE LINK ASSEMBLIES

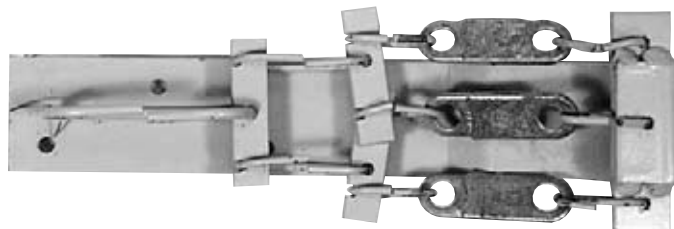
There are many cases where a single fusible link is not strong enough to hold the required load and in such cases we recommend that either a double or triple link be used. Our regular No. 0097.00165 Fusible Link is used in combinations as shown at right.

These multiple link assemblies are designed in such a manner that if any one of the links fuse - the whole assembly will separate. The load is always equally spread over all of the links in the assembly.

NOTE: Links should not be powder coated, since this will alter the fusing temperature. Also, individual links may be used only for weights up to the specified capacities and with a straight pull (force applied parallel to the axis of the link). If links are subjected to loads in excess of this rating, or if used in any manner other than a straight pull, they may break, endangering people and property. To insure the safest door operation, links should be replaced annually. RICHARDS-WILCOX SPECIFICALLY DISCLAIMS ANY WARRANTY IF THE ABOVE CONDITIONS ARE NOT MET.



0097.00057 Double link assembly carries up to 60 pounds.



0097.00064 Triple link assembly carries up to 90 pounds.

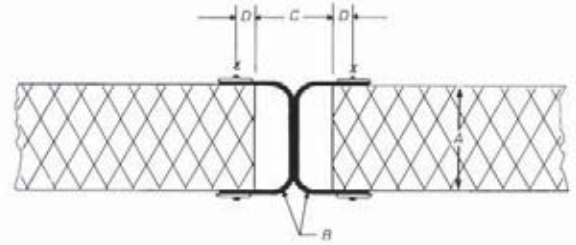
DOOR HARDWARE

ASTRAGAL WEATHERSTRIP

For use on the meeting vertical edges of swinging or slide-folding doors from 1¾" to 2½" thick. Each weatherstrip assembly includes: neoprene, steel strips, and fasteners for one door to accommodate either steel or wood doors.

Finish: Steel strips powder coated; screws zinc plated.

Ordering Data: Specify part number for proper door thickness and indicate door height - 8', 10', or 12'.



Part Number	Door Thickness	Neoprene Size	Door Clearance	Fastener Location
	A	B	C	D
0216.00028	1¾"	¼" x 5⅜" x 8'0"	1¾"	⅝"
0216.00029	1¾"	¼" x 5⅜" x 10'0"	1¾"	⅝"
0216.00030	1¾"	¼" x 5⅜" x 12'0"	1¾"	⅝"
0216.00032	2½"	¼" x 6⅜" x 8'0"	2¼"	⅝"
0216.00033	2½"	¼" x 6⅜" x 10'0"	2¼"	⅝"
0216.00034	2½"	¼" x 6⅜" x 12'0"	2¼"	⅝"

SWEEP WEATHERSTRIP

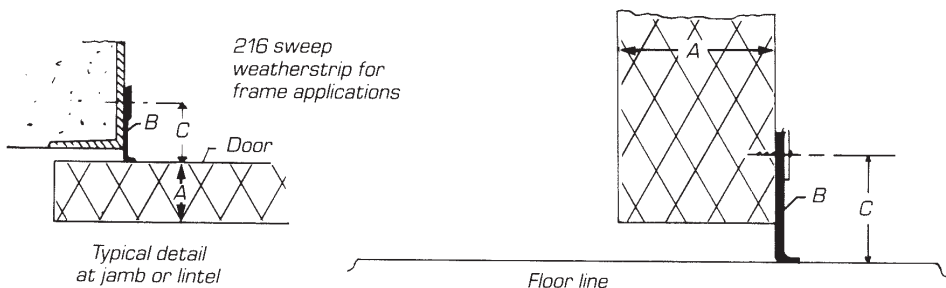
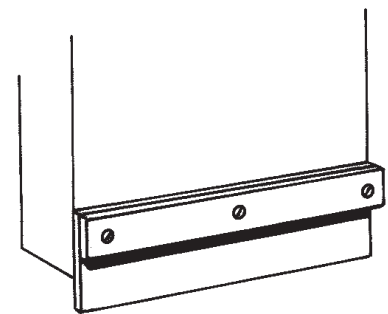
For use on the bottom edge of doors, frame jambs, and frame lintels. Weatherstrip assembly includes: neoprene, steel strip, and fasteners.

Finish: Steel strips powder coated; screws zinc plated.

Ordering Data: Specify part number for proper door width or length required.



Part Number	Door Thickness	Neoprene Size	Fastener Location
	A	B	C
0216.00052	All	⅛" x 2½" x 6'0"	1¾"
0216.00036	All	⅛" x 2½" x 8'0"	1¾"
0216.00037	All	⅛" x 2½" x 10'0"	1¾"
0216.00038	All	⅛" x 2½" x 12'0"	1¾"



DOOR HARDWARE

HANDRAIL BRACKET

Designed to support wood or metal handrails on masonry or concrete walls. Brackets are reversible for left or right hand use.

Construction: Malleable iron, base diameter 3". Mounting hardware included for wood and concrete.

Finish: Powder Coat.

Part Number	Finish	Maximum Handrail Size	Projection from Face of Wall to Center of Handrail
0566.00003	Powder Coat	3½" Wide	3⅜"



0566.00003 Handrail mount for flat and round handrail mounting

STANDARD AND HEAVY-DUTY STRAP HINGE SELECTION

Richards-Wilcox offers two lines of strap hinges to meet heavy-duty swing door applications.

1035, 1036 AND 1047 STRAP HINGES

Designed for use on swinging wood or metal doors. The hinge pintles are made for surface mounting to wood, formed metal, or structural steel frames. These hinges are available with disc or ball bearings (1047 disc bearing only), and are available in several strap sizes and lengths to meet most normal door applications.

434 STRAP HINGES

Designed for use on large swinging wood or metal doors and also on smaller doors which have a high frequency of operations each day.

The 434 Hinges are available in disc and ball bearing styles. Four pintle styles are available in two strap sizes and lengths to meet most normal door applications.

To properly select standard strap hinge for a given application, several factors must be considered:

- The frequency of door operation.
- The desired pintle pin location.
- The opening frame/jamb construction.
- The door size (width, height, thickness, and weight).

Selection is made as follows:

1. Type of Bearing

- Disc Bearing Hinges are for manually operated doors with an expected usage of up to twenty operations each day.
- Ball Bearing Hinges are for manually operated doors with an expected usage in excess of twenty operations each day. Both bearings are zinc plated.

2. Style of Pintle

- Select a style in respect to the desired pintle pin location and the frame/jamb construction.

3. Hinge Back Plates

- When through bolting strap hinges to doors, hinge back plates should be used to prevent damage to the door.

4. Center Hinges

- The primary use of center hinges is on slide-folding door applications. The strap size for a center hinge should be equal to the size for a jamb hinge.

5. No. 434 Strap Hinges – Recommended Usage Data

No. 434	Jambs		Doors to Swing Clear of Opening at 90 Degrees		Available Standard Strap Sizes $\frac{3}{8}$ " x $2\frac{1}{2}$ " and $3\frac{1}{2}$ " x 3" & 4"	Up to 6'0" Strap Lengths	Remarks
	Steel	Hollow Block Brick or Concrete ¹	Yes	No			
B ¹	*	*	*		*	*	For flush doors, wide pintle for masonry.
F ¹	*		*		*	*	Featuring narrow pintle for attachment to steel frame.
FW ¹	*			*	*	*	Features narrow pintle for use with steel frame.
W ¹		*		*	*	*	Most popular hinge for general use.

¹Hollow block walls must either be filled or have reinforcement provided.

STANDARD AND HEAVY-DUTY STRAP HINGE SELECTION

CALCULATING THE PROPER HINGE

The selection charts are arranged in ascending order of capacity, both in door weight and hinge moment, by hinge part number.

1. Obtain the following information:
 - a. Weight of the door in pounds
 - b. Height of the door in feet
 - c. Width of the door in feet
2. Calculate the moment on the hinge set:
Multiply the weight of the door by the width of the door
3. Locate the column showing the door height and read down the column to the row indicating the height of the specified door. Read across the row, find the proper hinge model which has values matching the application. The row will also tell you the number of hinges necessary.

Important Note: The specified door weight and hinge moment **must** be less than or equal to the published values in the chart for the model of hinge used.

EXAMPLES

Example One – knowing the door specification, choose the hinge model.

- a. Door weight = 1500#
Door height = 8 feet
Door width = 4 feet
- b. Hinge moment = 6000 ft./# (1500 x 4 = 6000)
- c. Look in door height column to row for 8 foot
- d. Go across the row until the door weight and moment are less than or equal to the above numbers — i.e. hinge model 0434.00320 (3 per door)

Example Two – knowing the hinge model needed, calculate the door specification.

- a. Select the hinge model by part number
- b. Reading down the column for the hinge, find the maximum door weight and hinge moment per door height row
- c. "b." will give you the approximate door weight and hinge moment for different door heights. Simply match these specifications for your application.

STANDARD AND HEAVY-DUTY STRAP HINGE

STANDARD-DUTY HINGE SELECTION CHART

Part Number		1047.00009 1047.00010	1047.00012	1036.00031 1036.00032 1036.00037 1036.00038	1035.00270 1035.00271	1035.00266 1035.00267	1035.00272 1035.00273
Number of Hinges	Maximum Height Feet	Maximum Weight/ Moment	Maximum Weight/ Moment	Maximum Weight/ Moment	Maximum Weight/ Moment	Maximum Weight/ Moment	Maximum Weight/ Moment
2	4	491/1907	767/3323	1104/842	1104/954	1104/1038	1104/1491
3	8	736/4450	1150/7754	1657/1965	1657/2226	1657/2422	1657/3479
4	12	982/6993	1534/12184	2209/3088	2209/3498	2209/3807	2209/5466
5	16	1227/9536	1917/16615	2761/4210	2761/4771	2761/5191	2761/7454
6	20	1473/12079	2301/21046	3313/5333	3313/6043	3313/6043	3313/9442
7	24	1718/14623	2684/25476	3866/6456	3866/7315	3866/7959	3866/11429

Part Number		1040.00010 1040.00013	1035.00268 1035.00269	1040.00006 1040.00007	1036.00034 1036.00040	0434.00304	0434.00320
Number of Hinges	Maximum Height Feet	Maximum Weight/ Moment	Maximum Weight/ Moment	Maximum Weight/ Moment	Maximum Weight/ Moment	Maximum Weight/ Moment	Maximum Weight/ Moment
2	4	1104/1572	1104/1622	1104/1759	1104/1796	1963/1999	1963/2718
3	8	1657/3668	1657/3785	1657/4104	1657/4192	2945/4664	2945/6341
4	12	2209/5763	2209/5948	2209/6450	2209/6587	3927/7330	3927/9965
5	16	2761/7859	2761/8111	2761/8795	2761/8982	4909/9995	4909/13588
6	20	3313/9955	3313/10273	3313/11140	3313/11377	5890/12661	5890/17211
7	24	3866/12051	3866/12436	3866/13485	3866/13772	6872/15326	6872/20835

Part Number		0434.00288 0434.00290	0434.00314	0434.00328	0434.00280 0434.00282	0434.00292 0434.00294	0434.00284 0434.00286
Number of Hinges	Maximum Height Feet	Maximum Weight/ Moment	Maximum Weight/ Moment	Maximum Weight/ Moment	Maximum Weight/ Moment	Maximum Weight/ Moment	Maximum Weight/ Moment
2	4	1963/3957	1963/4483	1963/4715	1963/5276	1963/7544	1963/11360
3	8	2945/9233	2945/10459	2945/11002	2945/12311	2945/17603	2945/26508
4	12	3927/14509	3927/16436	3927/17288	3927/19346	3927/27661	3927/41655
5	16	4909/19785	4909/22413	4909/23575	4909/26380	4909/37720	4909/56802
6	20	5890/25061	5890/28390	5890/29861	5890/33415	5890/47778	5890/71950
7	24	6872/30337	6872/34367	6872/36148	6872/40450	6872/57837	6872/87097

STANDARD AND HEAVY-DUTY STRAP HINGE**HEAVY-DUTY HINGE SELECTION CHART**

Part Number		0434.00308 0434.00302	0434.00300 0434.00312	0434.00323 0434.00318	0434.00331 0434.00325
Number of Hinges	Maximum Height in Feet	Maximum Weight/Moment	Maximum Weight/Moment	Maximum Weight/Moment	Maximum Weight/Moment
2	4	1963/2695	1963/4790	1963/1902	1963/3931
3	8	2945/6287	2945/11178	2945/4438	2945/9171
4	12	3927/9980	3927/17565	3927/6974	3927/14412
5	16	4909/13473	4909/23952	4909/9510	4909/19653
6	20	5890/17066	5890/30339	5890/12046	5890/24894
7	24	6872/20659	6872/36727	6872/14583	6872/30135

STANDARD STRAP HINGES

Standard Strap Hinges are available in four styles and two bearing types to meet swing door and slide folding door applications.

1035 SERIES STRAP HINGES

Construction: Steel, pintle pin secured with cotter pin. Hinges available with disc or ball bearings, non-template.

Application: Full strap hinge with offset pintle. Pintle can be mounted on opening frame or set back on face of wall to allow open doors to clear the doorway.

Finish: Strap and pintle powder coated. Pintle pin and bearings zinc plated.

Part Number	Bearing Type	Strap Size	Pintle Size Width x Height
1035.00266	Disc	19" x 2½" x ¼"	1¾" x 8"
1035.00267	Disc	24" x 2½" x ¼"	1¾" x 8"
1035.00268	Disc	30" x 2½" x 5/16"	1¾" x 8"
1035.00269	Disc	36" x 2½" x 5/16"	1¾" x 8"
1035.00270	Ball	19" x 2½" x ¼"	1¾" x 8"
1035.00271	Ball	24" x 2½" x ¼"	1¾" x 8"
1035.00272	Ball	30" x 2½" x 5/16"	1¾" x 8"
1035.00273	Ball	36" x 2½" x 5/16"	1¾" x 8"



1035 Series Strap Hinge

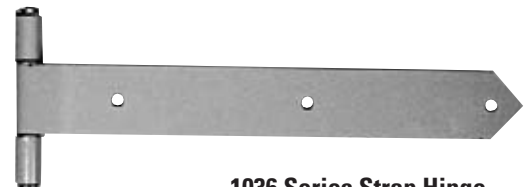
1036 SERIES STRAP HINGES

Construction: Steel, pintle pin non-removable hinges. Available with disc or ball bearings, non-template.

Application: Half surface strap hinge with butt type pintle leaf for mounting to inside of frame. Pintle pin located at edge of opening.

Finish: Strap and pintle powder coated. Pintle pin and bearings zinc plated.

Part Number	Bearing Type	Strap Size	Pintle Size Width x Height
1036.00031	Disc	18" x 2½" x 3/16"	2¾" x 6"
1036.00032	Disc	24" x 2½" x 3/16"	2¾" x 6"
1036.00034	Disc	36" x 3" x ¼"	2 1/16" x 7"
1036.00037	Ball	18" x 2½" x 3/16"	2¾" x 6"
1036.00038	Ball	24" x 2½" x 3/16"	2¾" x 6"
1036.00040	Ball	36" x 3" x ¼"	2 1/16" x 7"



1036 Series Strap Hinge

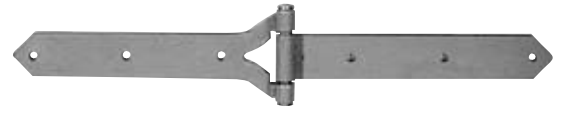
STANDARD STRAP HINGES

1040 SERIES STRAP HINGES

Construction: Steel, pintle pin non-removable, available with disc or ball bearings, non-template.

Application: Full surface strap hinge for use as a center hinge on slide-folding doors. Offset in hinge straps: 3/4" or 1 1/2" to allow hardware between doors.

Finish: Strap and pintle powder coated. Pintle pin and bearings-zinc plated.



1040 Series Strap Hinge

Part Number	Bearing Type	Offset	Strap Size	Pintle Size Width x Height
1040.00006	Disc	3/4"	1/4" x 2 1/2" x 15"	15" x 4 15/16"
1040.00010	Disc	1 1/2"	1/4" x 2 1/2" x 15"	15" x 4 15/16"
1040.00007	Ball	3/4"	1/4" x 2 1/2" x 15"	15" x 4 15/16"
1040.00013	Ball	1 1/2"	1/4" x 2 1/2" x 15"	15" x 4 15/16"

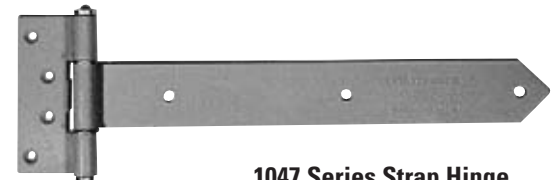
1047 SERIES STRAP HINGES

Construction: Steel, pintle pin non-removable hinges. Available in disc bearing only, non-template.

Application: Full surface strap hinge with butt type pintle leaf for mounting to face of opening frame, pintle pin located at edge of opening.

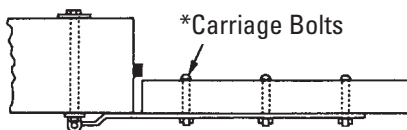
Finish: Strap and pintle powder coated. Pintle pin and bearings zinc plated.

Part Number	Bearing Type	Strap Size	Pintle Size Width x Height
1047.00009	Disc	18" x 2 1/2" x 3/16"	2 5/8" x 6"
1047.00010	Disc	24" x 2 1/2" x 3/16"	2 5/8" x 6"
1047.00012	Disc	36" x 3" x 1/4"	2 5/8" x 7"

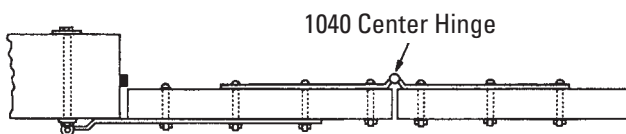


1047 Series Strap Hinge

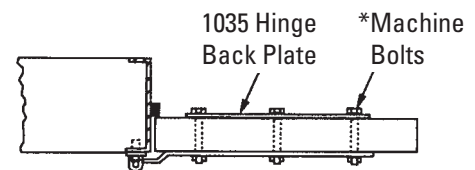
JAMB SECTIONS FOR STANDARD STRAP HINGES



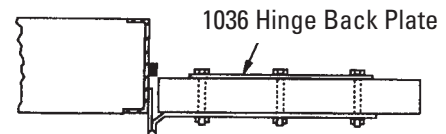
1035 Hinge - Wall Mounted



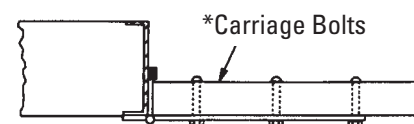
1040 Center Hinge - Door Mounted



1035 Hinge - Frame Mounted



1036 Hinge - Frame Mounted



1047 Hinge - Frame Mounted

DECORATIVE STRAP HINGES

Decorative Strap Hinges are available in two styles and two bearing types to meet swing door and slide folding door applications.

1035 SERIES DECORATIVE STRAP HINGES

Construction: Steel, pintle pin secured with cotter pin. Hinges available with disc or ball bearings, non-template.

Application: Full strap hinge with offset pintle. Pintle can be mounted on opening frame or set back on face of wall to allow open doors to clear the doorway.

Finish: Strap and pintle powder coated Black. Pintle pin and bearings Black zinc plated.

Part Number	Bearing Type	Strap Size	Pintle Size Width x Height
1035.01266SC	Disc	19" x 2½" x ¼"	1¾" x 8"
1035.01267SC	Disc	24" x 2½" x ¼"	1¾" x 8"
1035.01268SC	Disc	30" x 2½" x 5/16"	1¾" x 8"
1035.01269SC	Disc	36" x 2½" x 5/16"	1¾" x 8"
1035.01270SC	Ball	19" x 2½" x ¼"	1¾" x 8"
1035.01271SC	Ball	24" x 2½" x ¼"	1¾" x 8"
1035.01272SC	Ball	30" x 2½" x 5/16"	1¾" x 8"
1035.01273SC	Ball	36" x 2½" x 5/16"	1¾" x 8"



1035 Series Decorative Strap Hinge

1036 SERIES DECORATIVE STRAP HINGES

Construction: Steel, pintle pin non-removable hinges. Available with disc or ball bearings, non-template.

Application: Half surface strap hinge with butt type pintle leaf for mounting to inside of frame. Pintle pin located at edge of opening.

Finish: Strap and pintle powder coated Black. Pintle pin and bearings Black zinc plated.

Part Number	Bearing Type	Strap Size	Pintle Size Width x Height
1036.01031SC	Disc	18" x 2½" x ¼"	2¾" x 6"
1036.01032SC	Disc	24" x 2½" x ¼"	2¾" x 6"
1036.01034SC	Disc	36" x 3" x ¼"	2 1/16" x 7"
1036.01037SC	Ball	18" x 2½" x ¼"	2¾" x 6"
1036.01038SC	Ball	24" x 2½" x ¼"	2¾" x 6"
1036.01040SC	Ball	36" x 3" x ¼"	2 1/16" x 7"



1036 Series Decorative Strap Hinge

DECORATIVE STRAP BACK PLATE

DECORATIVE STRAP HINGE BACK PLATES

Hinge Number	Back Plate Number	Size
1035.01266SC 1035.01270SC	1035.01241SC	3/16" x 2 1/2" x 16 1/2"
1035.01267SC 1035.01271SC	1035.01242SC	3/16" x 2 1/2" x 21 1/2"
1035.01268SC 1035.01272SC	1035.01243SC	1/4" x 2 1/2" x 27 1/4"
1035.01269SC 1035.01273SC	1035.01244SC	1/4" x 2 1/2" x 33 1/4"
1036.01031SC 1036.01037SC	1035.01241SC	3/16" x 2 1/2" x 16 1/2"
1036.01032SC 1036.01038SC	1035.01242SC	3/16" x 2 1/2" x 21 1/2"
1036.01034SC 1036.01040SC	1035.01244SC	1/4" x 2 1/2" x 33 1/4"

Construction: Steel, hole centers match strap hinge sizes as shown in chart.

Application: When through bolting 1035 and 1036 strap hinges to a non-reinforced door (example: hollow metal). Available for 18", 19", 24", 30" and 36" strap lengths in disc or ball bearing styles. The back plate distributes the force of the fasteners over a larger surface area, thus preventing damage to the door.

Finish: Powder Coat.



Decorative Strap Hinge Back Plate

SPECIALITY HINGES

Richards-Wilcox manufactures a line of specialty hardware products for historic preservation and traditional building applications. In addition to the decorative hinges offered in this catalog, our support services include design assistance and special laser fabrication of unique door hardware parts for custom matching such as the hinges shown here. Contact Richards-Wilcox Hardware Customer Service for further information.



INDUSTRIAL STRAP HINGES

The 434 Industrial Strap Hinges are available in five hinge styles and two bearing types to meet most swing door and slide folding door applications.

434-B SERIES STRAP HINGES

Construction: Steel, pintle pin secured with cotter pin; hinges available in two strap sizes with disc or ball bearings; pintle and strap have $\frac{9}{16}$ " dia. holes for fasteners, non-template.

Application: Full surface strap hinge with offset strap and pintle pin set back from edge of opening to allow door to fully clear opening when in the 90 degree open position; wide pintle for through-bolting on masonry wall.

Finish: Strap and pintle powder coated. Pintle pin and bearings zinc plated.

Part Number	Bearing Type	Strap Size	Pintle Size Width x Height
0434.00302	Disc	$\frac{3}{8}$ " x 3" x 33 $\frac{1}{2}$ "	9 $\frac{1}{2}$ " x 7"
0434.00312	Disc	$\frac{1}{2}$ " x 4" x 33 $\frac{1}{2}$ "	9 $\frac{1}{2}$ " x 9"
0434.00318	Ball	$\frac{3}{8}$ " x 3" x 33 $\frac{1}{2}$ "	9 $\frac{1}{2}$ " x 8"
0434.00325	Ball	$\frac{1}{2}$ " x 4" x 33 $\frac{1}{2}$ "	9 $\frac{1}{2}$ " x 10"



434-B Strap Hinge

434-F SERIES STRAP HINGES

Construction: Steel, pintle pin secured with cotter pin; hinges available in two strap sizes with disc or ball bearings; pintle and strap have $\frac{9}{16}$ " dia. holes for fasteners, non-template.

Application: Full surface strap hinge with offset strap and pintle pin set back from edge of opening to allow door to fully clear opening when in the 90 degree open position; narrow pintle for attachment to steel frame.

Finish: Strap and pintle powder coated. Pintle pin and bearings zinc plated.

Part Number	Bearing Type	Strap Size	Pintle Size Width x Height
0434.00308	Disc	$\frac{3}{8}$ " x 3" x 27 $\frac{1}{2}$ "	3 $\frac{1}{4}$ " x 7"
0434.00310	Disc	$\frac{1}{2}$ " x 4" x 27 $\frac{1}{2}$ "	3 $\frac{1}{4}$ " x 9"
0434.00323	Ball	$\frac{3}{8}$ " x 3" x 27 $\frac{1}{2}$ "	3 $\frac{1}{4}$ " x 8"
0434.00331	Ball	$\frac{1}{2}$ " x 4" x 27 $\frac{1}{2}$ "	3 $\frac{1}{4}$ " x 10"



434-F Series Strap Hinge

INDUSTRIAL STRAP HINGES

434-FW SERIES STRAP HINGES

Construction: Steel, pintle pin secured with cotter pin. Hinges available in two strap sizes with disc or ball bearings; pintle and strap have $\frac{9}{16}$ " dia. holes for fasteners, non-template.

Application: Full surface strap hinge with pintle pin located at edge of opening; narrow pintle for attachment to steel frame.

Finish: Strap and pintle powder coated. Pintle pin and bearings zinc plated.

Part Number	Bearing Type	Strap Size	Pintle Size Width x Height
0434.00280	Disc	$\frac{3}{8}$ " x 3" x 24"	$3\frac{1}{4}$ " x 7"
0434.00284	Disc	$\frac{1}{2}$ " x 4" x 24"	$3\frac{1}{4}$ " x 9"
0434.00288	Ball	$\frac{3}{8}$ " x 3" x 24"	$3\frac{1}{4}$ " x 8"
0434.00292	Ball	$\frac{1}{2}$ " x 4" x 24"	$3\frac{1}{4}$ " x 10"



434-FW Series Strap Hinge

434-W SERIES STRAP HINGES

Construction: Steel, pintle pin secured with cotter pin; hinges available in two strap sizes with disc or ball bearings; pintle and strap have $\frac{9}{16}$ " dia. holes for fasteners, non-template.

Application: Full surface strap hinge with pintle pin located at edge of opening; wide pintle for attachment to wall.

Finish: Strap and pintle powder coated. Pintle pin and bearings zinc plated.

Part Number	Bearing Type	Strap Size	Pintle Size Width x Height
0434.00282	Disc	$\frac{3}{8}$ " x 3" x 24"	$9\frac{1}{2}$ " x 7"
0434.00286	Disc	$\frac{1}{2}$ " x 4" x 24"	$9\frac{1}{2}$ " x 9"
0434.00290	Ball	$\frac{3}{8}$ " x 3" x 24"	$9\frac{1}{2}$ " x 8"
0434.00294	Ball	$\frac{1}{2}$ " x 4" x 24"	$9\frac{1}{2}$ " x 10"



434-W Series Strap Hinge

434-K SERIES STRAP HINGES

Construction: Steel, pintle pin secured with cotter pin; hinges available in two strap sizes with disc or ball bearings; pintle has $\frac{9}{16}$ " x $1\frac{1}{4}$ " slots- strap has $\frac{9}{16}$ " dia. holes for fasteners, non-template.

Application: Full surface strap hinge for use as a center hinge on slide-folding doors.

Finish: Strap and pintle powder coated. Pintle pin and bearings zinc plated.

Part Number	Bearing Type	Strap Size	Pintle Size Width x Height
0434.00304	Disc	$\frac{3}{8}$ " x 3" x 24"	24" x 6"
0434.00314	Disc	$\frac{1}{2}$ " x 4" x 24"	24" x 8"
0434.00320	Ball	$\frac{3}{8}$ " x 3" x 24"	24" x 8"
0434.00328	Ball	$\frac{1}{2}$ " x 4" x 24"	24" x 10"



434-K Series Strap Hinge

STANDARD / INDUSTRIAL STRAP BACK PLATE

STRAP HINGE BACK PLATES

Hinge Number	Back Plate Number	Size
1035.00266 1035.00270	1035.00241	3/16" x 2 1/2" x 16 1/2"
1035.00267 1035.00271	1035.00242	3/16" x 2 1/2" x 21 1/2"
1035.00268 1035.00272	1035.00243	1/4" x 2 1/2" x 27 1/4"
1035.00269 1035.00273	1035.00244	1/4" x 2 1/2" x 33 1/4"
1036.00031 1036.00037	1036.00058	3/16" x 2 1/2" x 16"
1036.00032 1036.00038	1036.00059	3/16" x 2 1/2" x 22"
1036.00034 1036.00040	1036.00060	3/16" x 3" x 34"
1047.00009	1036.00058	3/16" x 2 1/2" x 16"
1047.00010	1036.00059	3/16" x 2 1/2" x 22"
1047.00012	1036.00060	3/16" x 3" x 24"
All 434	0434.00296	1/4" x 3" x 21 1/2"

Construction: Steel, hole centers match strap hinge sizes as shown in chart.

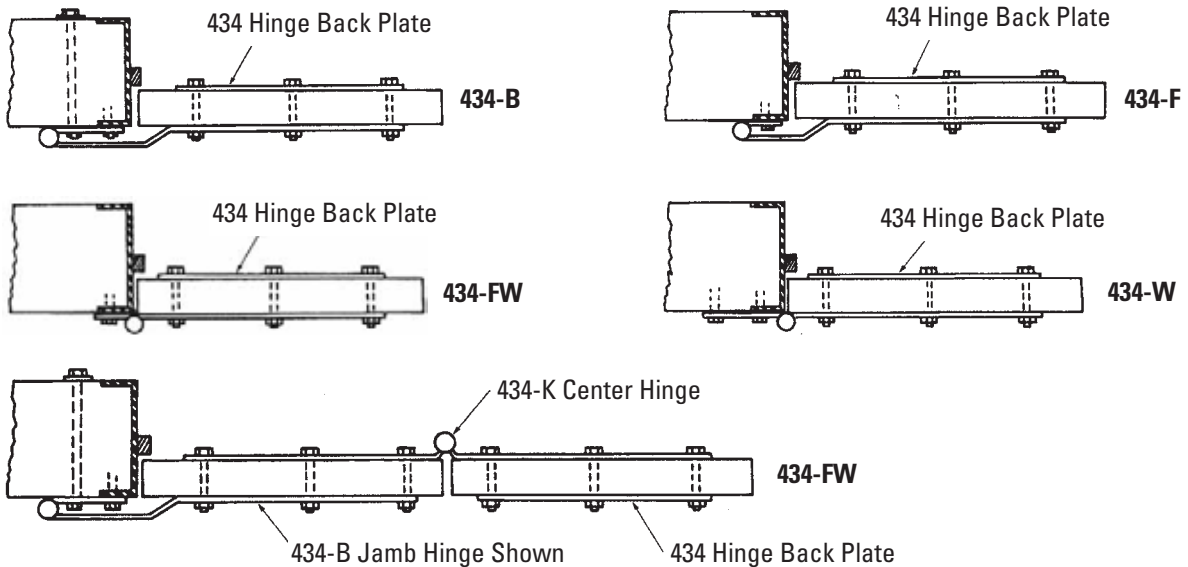
Application: When through bolting 434, 1035, 1036 and 1047 strap hinges to a non-reinforced door (example: hollow metal). Available for 18", 19", 24", 30" and 36" strap lengths in disc or ball bearing styles. The back plate distributes the force of the fasteners over a larger surface area, thus preventing damage to the door.

Finish: Powder Coat.



Strap Hinge Back Plate

JAMB SECTIONS FOR INDUSTRIAL STRAP HINGES



RICHARDS-WILCOX TEN-YEAR WARRANTY

HARDWARE PRODUCTS

Richards-Wilcox Hardware Products are warranted to be of good quality, and free from defects in material and workmanship under normal intended use for a period of ten (10) years from the date of purchase. If any hardware, or part thereof, is determined by Richards-Wilcox not to be as warranted, Richards-Wilcox will at its option and without charge, replace the defective part or parts.

UNDER NO CIRCUMSTANCES SHALL WE BE LIABLE FOR INDIRECT OR CONSEQUENTIAL DAMAGES OF ANY KIND. THESE WARRANTIES ARE IN LIEU OF ALL OTHER WARRANTIES EXPRESSED OR IMPLIED INCLUDING, BUT NOT LIMITED TO, WARRANTIES OF MERCHANTABILITY OR FITNESS FOR A PARTICULAR PURPOSE. THE WARRANTIES COVER RICHARDS-WILCOX MATERIAL. WE SHALL NOT BE LIABLE, NOR DO WE ASSUME RESPONSIBILITY FOR DAMAGE OR OPERATIONAL FAILURES CAUSED BY SUPPORTING AND/OR SURROUNDING STRUCTURE AND/OR EQUIPMENT, OVERLOADING OF THE PRODUCT BEYOND THE MANUFACTURER'S RATED CAPACITY, IMPROPER USE OR APPLICATION BEYOND THE MANUFACTURER'S INTENDED OR RECOMMENDED USE, OR OTHER EXTERNAL CAUSES SUCH AS ABUSE OR ACTS OF GOD AND OTHER CAUSES BEYOND OUR CONTROL. MAINTENANCE AND ADJUSTMENTS ARE THE RESPONSIBILITY OF THE OWNER. THIS GUARANTEE DOES NOT COVER SUCH MAINTENANCE AND ADJUSTMENTS, NOR ANY SERVICES WHICH MAY BE REQUIRED AS A RESULT OF THE PURCHASER'S FAILURE TO PERFORM NORMAL MAINTENANCE AND ADJUSTMENTS TO THE PURCHASED PRODUCT.

Replacement of defective material shall be furnished without charge, delivered, installation not included. If Richards-Wilcox decides to service a warranted product at the purchaser's place of business and determines that no defective material or improper workmanship exists, then the purchaser shall reimburse Richards-Wilcox Company for all expenses, including time and travel, incurred in providing the service.

This warranty is not applicable to other Richards-Wilcox non-hardware products.



Richards-WILCOX

600 South Lake Street, Aurora, Illinois 60506
800-253-5668 • 630-897-6951 • Fax 630-897-6994
www.rwhardware.com